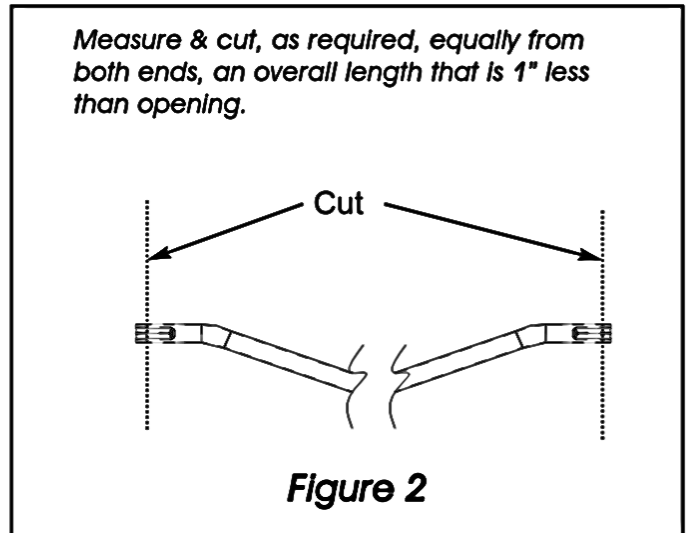
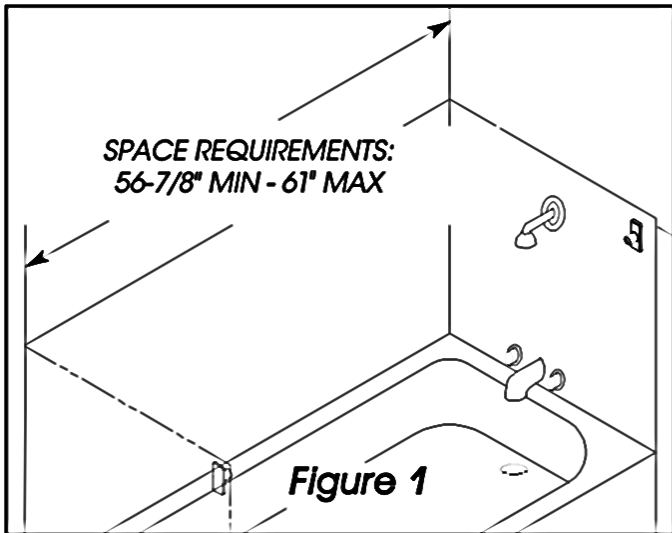


# CURVED SHOWER ROD

## Installation Instructions

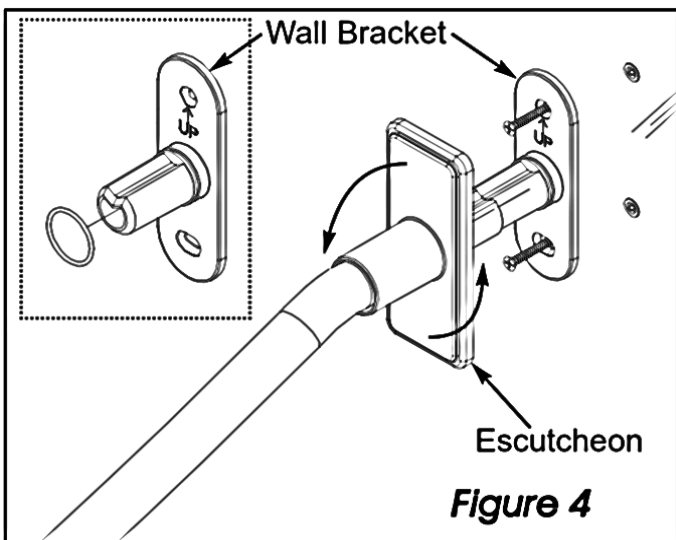
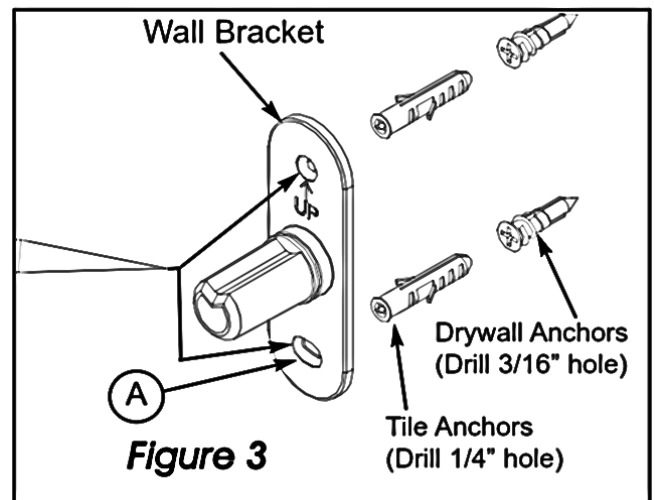
Model No. 1139CR5



### Figures 1, 2 & 3

1. Level, mark and drill bracket hole pattern at both ends.  
(A=Distance from floor, curtain length + 6")
2. Install appropriate anchors from mounting kit\* into mounting surface. Ensure anchor heads are flush to the wall.  
Do not install wall brackets.

\*Sold separately.



### Figure 4

1. Slide o-ring into wall bracket o-ring groove (x2).
2. Slide escutcheon, then wall brackets onto rod.
3. Rotate escutcheon to access wall bracket hole pattern.
4. Install rod by securing wall brackets with screws.
5. Rotate and slide escutcheons over wall brackets.

Tools required: Level, Measuring Tape, Drill, Phillips Screw driver

**GINGER**  
Luxury For Your Lifestyle™