



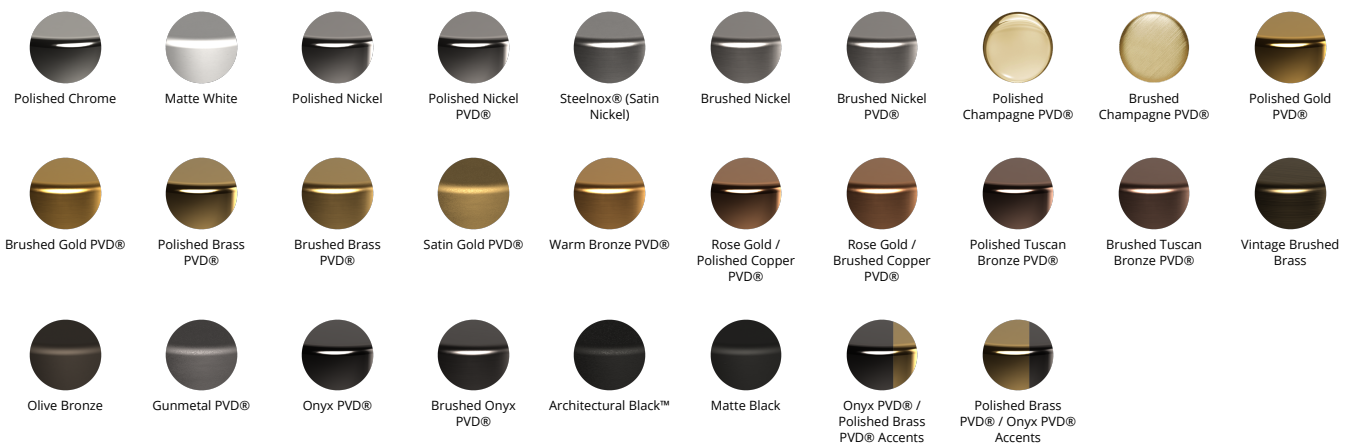
Product Features

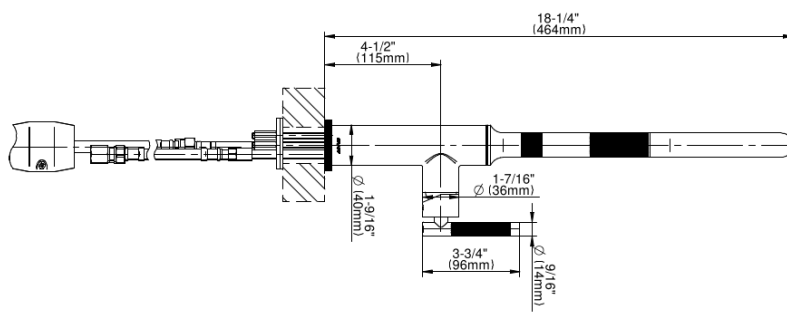
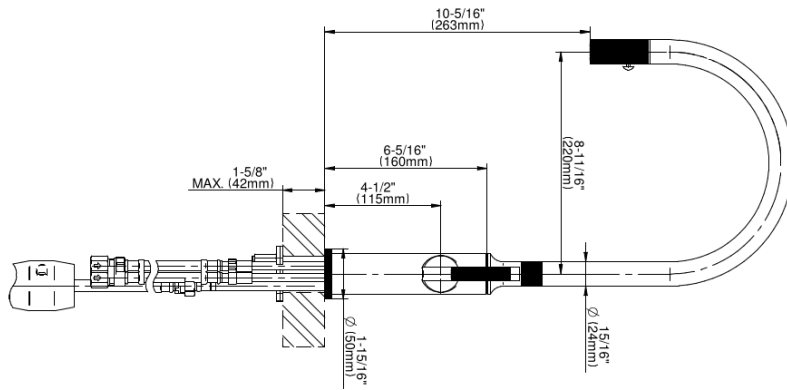
- Single-hole installation
- Swivel spout
- Dual-function spray/stream pull-out sprayhead
- Aerated flow rate ? 1.8 max gpm
- Reverse Osmosis Compatible w/ Re-Mineralized System

Code compliance

- ADA
- CALGreen

Available Finishes





GRAFF®
Art of Bath