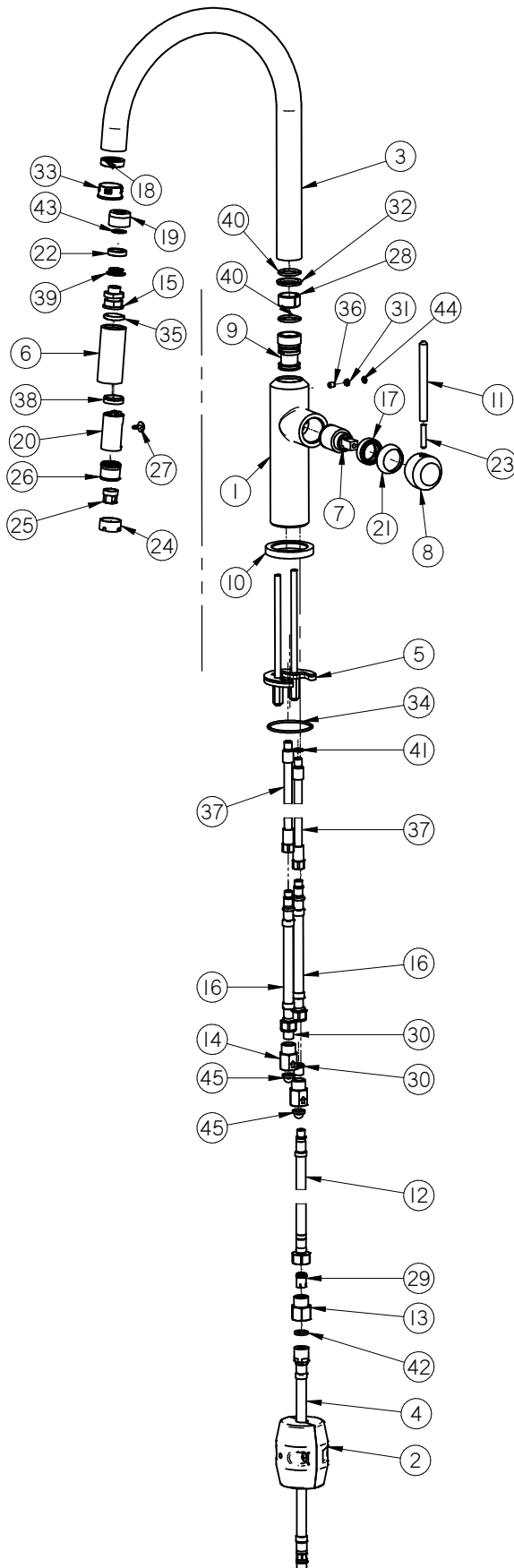


# G-4615- LM41J

## M.E Series



POS NO.	SPARE PART DESCRIPTION	PCS	ITEM NO.
	Kitchen Faucet G-4615- LM41J		5228080N
1	Body	1	5230400N
2	Hose weight 650	1	5300450
3	Spout pipe	1	5228770
4	Hose DN6 Flex M10x1-M15x1, L=1800	1	5016365
5	Mounting set	1	2052250
6	Pullout Body fi26	1	5228550
7	Cartridge 25-90°	1	2388775
8	Handle body	1	5230230
9	Rotating sleeve	1	5228460
10	Rosette fi50	1	5228180
11	Handle Arm LM41K	1	2844680
12	TAQ-PEX-DN6-ACB M15x1-M8x1 L12-210	1	2900185
13	Body CV10FR/M15x1	1	5228740
14	Body DW10-9/16"-24UNEF	2	2034980
15	Connector pullout	1	5228590
16	Hose 9/16-24UNEF-M8x1-450	2	2901306
17	Nut	1	2812290a
18	Nut M24x1	1	5016390
19	Pullout nut	1	5228850
20	Micro pull-out insert	1	2883330
21	Decorative cap	1	2812300
22	Magnetic ring	1	5016600
23	Screw M5x25 ISO 4029	1	9903346
24	Nut M22x1	1	2883340
25	Aerator 15	1	2844310
26	Spray Complete 2451455	1	2844470
27	Knob L=13,5	1	5228600
28	Sliding ring	1	2016700A
29	Flow regulating check valve CV10FR 1,75gpm	1	5228760
30	Check valve	2	2000385
31	Plug no.3	1	5108300
32	Ring	1	5228470
33	Pull-out spout insert	1	5228810
34	O-ring 43x2 NBR70	1	9916334
35	O-ring 14x3,6	1	5016630
36	Screw M5x6 ISO4026	1	9903150
37	Soldered pipe L=160	2	2816990
38	Ring	1	2883510
39	Split ring with a collar	1	5016750
40	OR 18.3x2.4	2	9916161
41	O-ring 7,1x1,5	2	9916048
42	Washer 14x8x2	1	2035830
43	O-ring 12x1	1	5016590
44	OR 3x1	1	9917040
45	Gasket with strainer Ø12,8	2	2062730