

PRODUCT SPECIFICATIONS

Elkay Lustertone™ Classic Stainless Steel 33" x 22" x 7-5/8", Single Bowl Drop-in Sink with Drainboard. Sink is manufactured from 18 gauge 304 Stainless Steel with a Lustrous Satin finish, Center drain placement, and Bottom only pads.

| | |
|------------------------------|--|
| Installation Type: | Drop-in |
| Material: | 304 Stainless Steel |
| Special Features: | Drainboard |
| Finish: | Lustrous Satin |
| Gauge: | 18 |
| Sound Deadening: | Bottom only pads |
| Number of Bowls: | 1 |
| Sink Dimensions: | 33" x 22" x 7-5/8" |
| Bowl 1 Dimensions: | 16" x 16" x 7-1/2" |
| Drain Size: | 3-1/2" (89mm) |
| Drain Location: | Center |
| Minimum Cabinet Size: | 36" |
| Mounting Hardware: | Part # 64090014 included for countertops up to 3/4" (19mm) thick |
| Cutout Template #: | 1000001189 |

Template is available for download at [elkay.com](#). CAD software will be required to open the template.

Cutout Dimensions for Drop-in Installation:
32-3/8" x 21-3/8" (822mm x 543mm) with 1-1/2" (38mm) corner radius

| | |
|---|--|
| Custom Options | |
| <input type="checkbox"/> Type 316 Stainless Steel | |
| Drain Location | |
| <input type="checkbox"/> Right Rear | <input type="checkbox"/> Left Rear |
| <input type="checkbox"/> Center | <input type="checkbox"/> Center Rear |
| Overflow Location | |
| <input type="checkbox"/> Front | <input type="checkbox"/> Rear |
| Alternate Punching | |
| <input type="checkbox"/> Faucet Model: | <input type="checkbox"/> Punch Required: |
| Sink Size | |
| <input type="checkbox"/> Bowl Depth: | <input type="checkbox"/> Drainboard Width: |

*Options available if applicable



AMERICAN PRIDE. A LIFETIME TRADITION.
Like your family, the Elkay family has values and traditions that endure. For almost a century, Elkay has been a family-owned and operated company, providing thousands of jobs that support our families and communities.

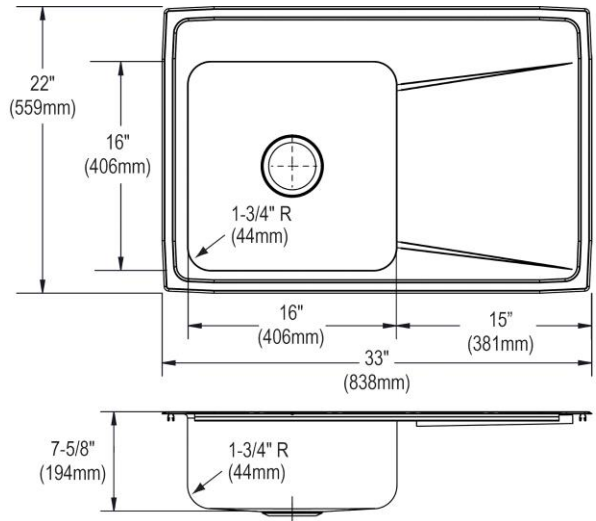


Product Compliance: ASME A112.19.3/CSA B45.4
BUY AMERICAN ACT

Sinks are listed by IAPMO® as meeting the applicable requirements of the Uniform Plumbing Code®, International Plumbing Code®, and National Plumbing Code of Canada.

[Clean and Care Manual \(PDF\)](#)
[Installation Instructions \(PDF\)](#)
[Warranty \(PDF\)](#)

Similar models are available with: drainboard on the opposite side



PART: _____ QTY: _____

PROJECT: _____

CONTACT: _____

DATE: _____

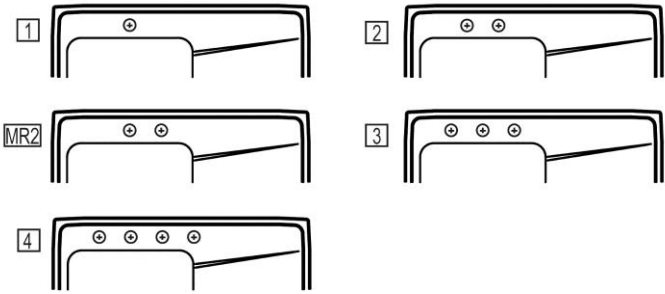
NOTES: _____

APPROVAL: _____

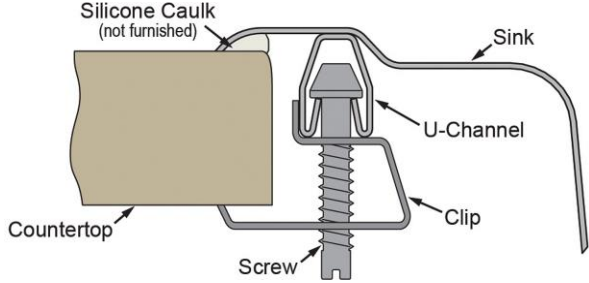
In keeping with our policy of continuing product improvement, Elkay reserves the right to change product specifications without notice. Please visit [elkay.com](#) for the most current version of Elkay product specification sheets. This specification describes an Elkay product with design, quality, and functional benefits to the user. When making a comparison of other producers' offerings, be certain these features are not overlooked.

Hole Drilling Configurations:

1-1/2" (38mm) Diameter Faucet Holes on 4" (102mm) Centers



Installation Profile:



OPTIONAL ACCESSORIES

| | |
|------------------------|---------------------------------------|
| Cutting Board: | CB1713, CBS1316 |
| Drain: | LK99 |
| Faucet: | LKGT1041CR, LKGT1041NK, LKGT1041RB |
| Hardware: | LK364, LK463 |
| Rinsing Basket: | LKWRB1316SS |
| Soap Dispenser: | LKGT1054 |

In keeping with our policy of continuing product improvement, Elkay reserves the right to change product specifications without notice. Please visit elkay.com for the most current version of Elkay product specification sheets. This specification describes an Elkay product with design, quality, and functional benefits to the user. When making a comparison of other producers' offerings, be certain these features are not overlooked.