

INSTALLATION AND OPERATION MANUAL

60x36 - MODEL: 220AS9340-D0







60x32 - MODEL: 220AS9320-D0

66x36 - MODEL: 220AS9380-D0

72x36 - MODEL: 220AS9400-D0

IMPORTANT SAFETY INSTRUCTIONS

READ AND FOLLOW ALL INSTRUCTIONS!

-  **WARNING: Risk of personal injury.** Do not permit children to use this bathtub without adult supervision. Never drop or insert any object into any opening. Do not operate this unit without the guard over the suction fitting.
-  **WARNING: Risk of electric shock.** Do not permit electrical appliances near any bathtub when bathtub contains water.
-  **WARNING: Risk of hyperthermia and possible drowning.** People using medications and/or having adverse medical history should consult a physician before using this product.
-  **WARNING: Risk of personal injury.** Do not overfill bathtub before entering. Entering tub when filled more than 2/3 can cause overflow and slippery conditions. Exercise caution when entering and exiting.
-  **WARNING: No Food or Alcoholic Beverages.** Use of your bathtub immediately after meals is not recommended. Avoid alcohol consumption before or during bathing. Alcoholic beverages can cause drowsiness or hyperthermia resulting in loss of consciousness or even drowning.
-  **WARNING: Pregnancy.** If you are or think you may be pregnant, consult your physician before using the bathtub.

Use this unit only for its intended use as described in this manual.

The unit must be connected only to a supply circuit that is properly protected by a ground-fault circuit-interrupter (GFCI). Such a GFCI should be provided by the installer and should be tested on a routine basis. To test the GFCI, push the test button. The GFCI should interrupt power. Push the reset button. Power should be restored. If the GFCI fails to operate in this manner, the GFCI is defective. If the GFCI interrupts power to the bathtub without the test button being pushed, a ground current is flowing, indicating the possibility of an electric shock. Do not use this air bath. Disconnect the air bath and have the problem corrected by a licensed electrician before using.

SAVE THESE INSTRUCTIONS

Installation and Framing Instructions

Each bath arrives ready for installation, completely equipped with the pump/blower electronics and plumbing necessary for operation. However, a drain/overflow kit is required for each bath and it is not included.

The variety of installations for this bath may require framing procedures other than those shown. Locate studs as required. Ensure roughing-in dimensions are proper, plumb, and square.

- ⚠ Remove the bath from the carton. Retain the shipping carton until satisfactory inspection of the product has been made. Do not lift the bath by the plumbing at any time; handle by the shell only.
- ⚠ All bath units are factory tested for proper operation and watertight connections prior to shipping. Prior to installation, the bath must be filled with water and operated to check for leaks that may have resulted from shipping damage or mishandling.
- ⚠ The sumps of these baths are supported by feet and no additional sump support is required. Once the bath is in place, the feet should be shimmed and secured accordingly so that the rim of the bath contacts the stringer or pier but supports no weight.
- ⚠ Provisions must be made in all installations for an access opening for servicing the bath pump/blower. Unless an access opening of at least 12" x 24" (305mm x 610mm) is provided, warranty service will not be performed. It is strongly recommended that an additional opening be provided for access to drain components.
- ⚠ Each bath has a nominal length (L), width (W), and Height (H) along with a rim height. Unless otherwise noted in the following rough-in references, assume that the nominal tolerances are as much as +/-1/4 inch (6mm). Therefore, it is strongly recommended that the installer build the surrounding structure after receiving the actual bath. Structural measurements should be verified against the actual bath received to ensure proper fit.

POST INSTALLATION CLEAN-UP

Remove all construction debris from bath. Tile grout can be removed with a wooden popsicle stick or tongue depressor.

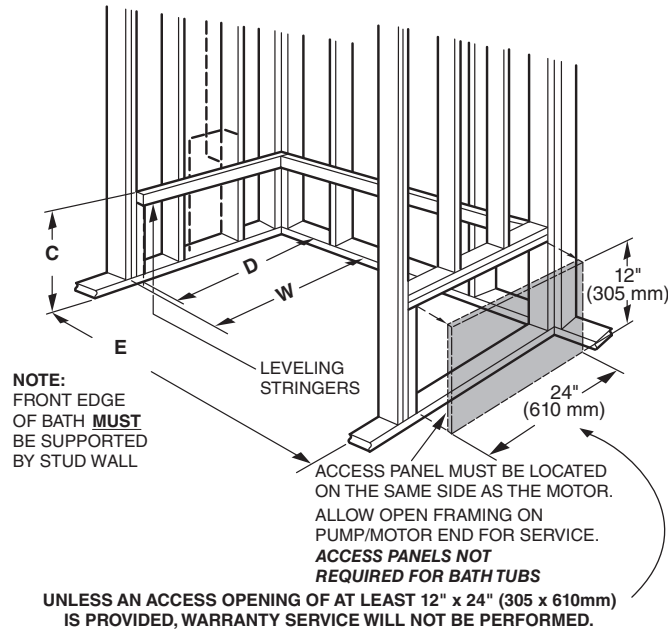
Do not use wire brushes or any other metal implement on bath surface.

Post installation clean-up generally can be completed using warm water and liquid dishwashing detergent.

Stubborn dirt or stains may be removed using granular Spic and Span[®] mixed with water.

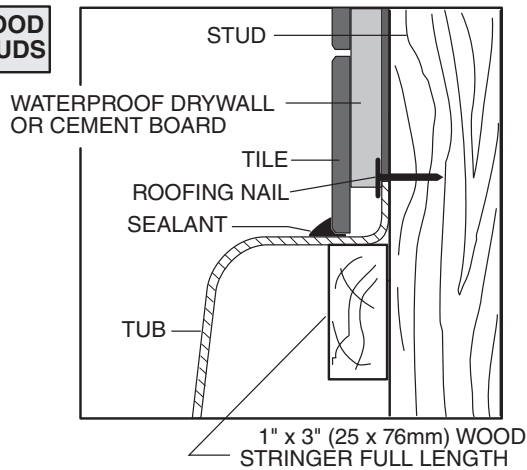
Painter's naphtha can be used to remove excess adhesives and/or wet oil-base paint.

ROUGH-IN REFERENCES FOR RECESS TYPE INSTALLATIONS

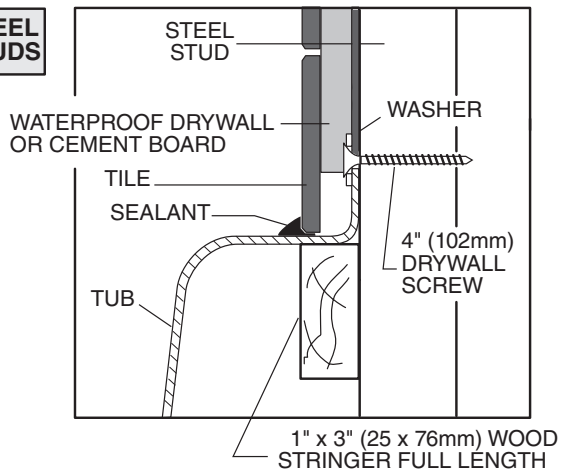


TYPICAL TILE FLANGE INSTALLATION

WOOD STUDS

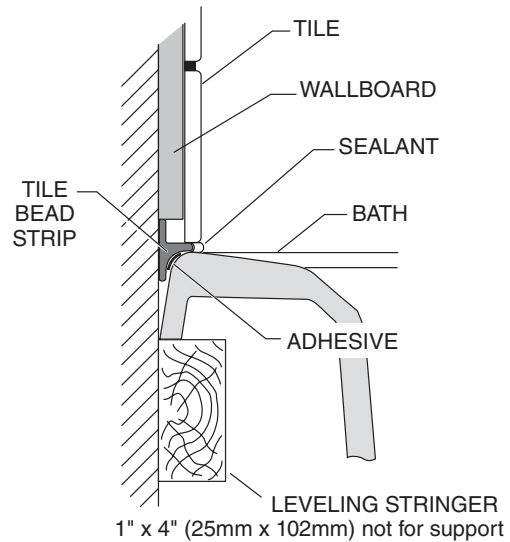


STEEL STUDS



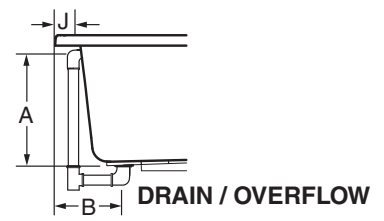
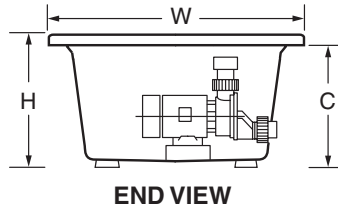
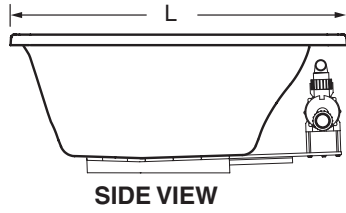
SECURE THE BATH TO THE STUDS AS SHOWN FOR WOOD OR STEEL STUD CONSTRUCTION.

TYPICAL TILE BEAD INSTALLATION



NOTE: Tile bead kit not included and must be purchased separately.

SPECIFICATIONS:

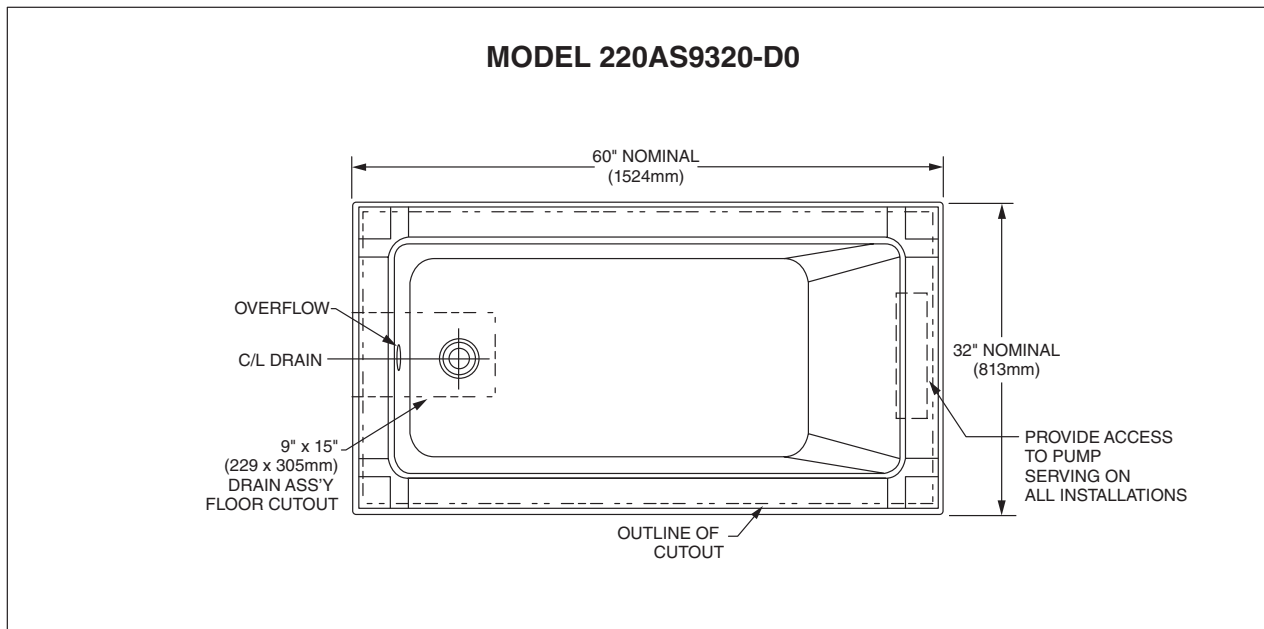


GENERAL SPECIFICATIONS FOR FERREN 5' x 32" WHIRLPOOLS AND BATH TUBS

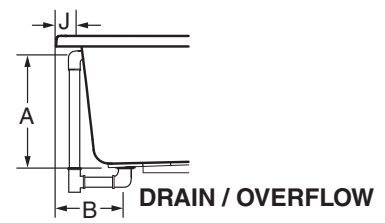
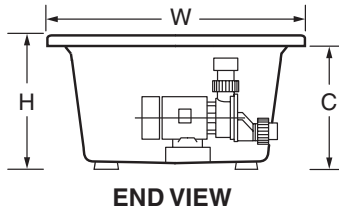
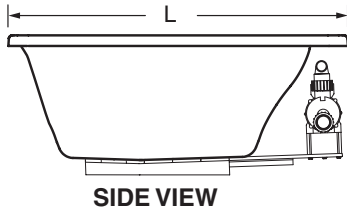
Description	Deck Trim Option	Dimensions L-W-H	Drain / Overflow	Height to Underside of Deck Edge: C	Cut Out Pier G x F	Rough-In Recess E x D	Tub Edge to Centerline Overflow: J	Weight with Water / Floor Loading	Product Weight	Gallon to Overflow	Whirlpool Operating Volume
2932 5' x 32"	Zero (5/8")	L 59-1/2" (1511mm) W 31-1/2" (800mm) H 22-1/2" (572mm)	A 17-3/4" (451mm) B 10-3/4" (273mm)	C 21-7/8" (556mm)	58" (1473mm) x 30" (762mm)	59-11/16" (1516mm) x 30" (762mm)	3-1/4" (83mm)	581 lb. (264 kg)/ 44 lb./sq.ft. (213 kg/sq.m)	90 lb. (198 kg.)	59 gal. (224 l.)	54 gal. (205 l.)
2932 5' x 32"	2"	L 59-3/4" (1518mm) W 31-3/4" (806mm) H 22-1/2" (572mm)	A 17-3/4" (451mm) B 10-7/8" (276mm)	C 20-1/2" (521mm)	58-1/4" (1480mm) x 30-1/4" (768mm)	59-15/16" (1522mm) x 30-1/4" (768mm)	3-1/4" (83mm)	581 lb. (264 kg)/ 44 lb./sq.ft. (213 kg/sq.m)	90 lb. (198 kg.)	59 gal. (224 l.)	54 gal. (205 l.)

TABLE 2

ROUGH-IN REFERENCES



SPECIFICATIONS:

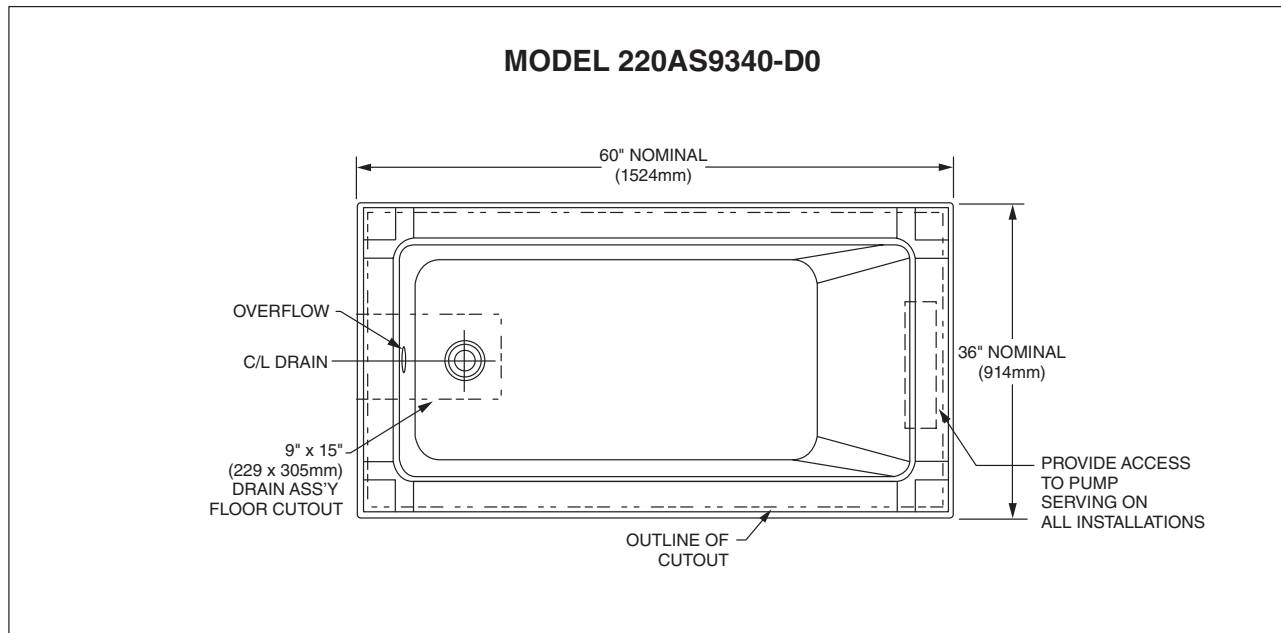


GENERAL SPECIFICATIONS FOR FERREN 5' x 36" WHIRLPOOLS AND BATH TUBS

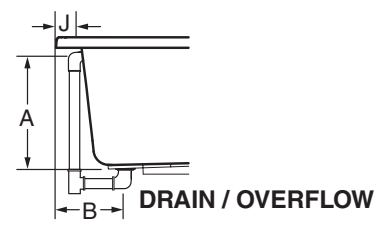
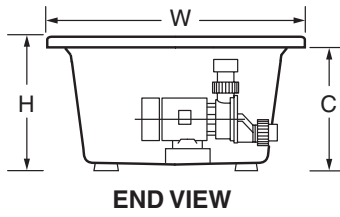
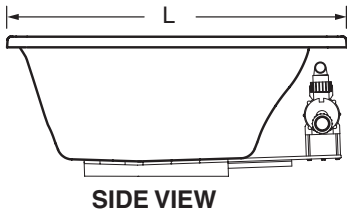
Description	Deck Trim Option	Dimensions L-W-H	Drain / Overflow	Height to Underside of Deck Edge: C	Cut Out Pier G x F	Rough-In Recess E x D	Tub Edge to Centerline Overflow: J	Weight with Water / Floor Loading	Product Weight	Gallon to Overflow	Whirlpool Operating Volume
2934 5' x 36"	Zero (5/8")	L 59-1/2" (1511mm) W 35-1/2" (902mm) H 22-1/2" (572mm)	A 17-3/4" (451mm) B 10-3/4" (273mm)	C 21-7/8" (556mm)	58" (1473mm) x 34" (864mm)	59-11/16" (1516mm) x 34" (864mm)	3-1/4" (83mm)	686 lb. (311 kg)/ 46 lb./sq.ft. (223 kg/sq.m)	95 lb. (209 kg.)	71 gal. (269 l.)	64 gal. (243 l.)
2934 5' x 36"	2"	L 59-3/4" (1518mm) W 35-3/4" (908mm) H 22-1/2" (572mm)	A 17-3/4" (451mm) B 10-7/8" (276mm)	C 20-1/2" (521mm)	58-1/4" (1480mm) x 34-1/4" (870mm)	59-15/16" (1522mm) x 34-1/4" (870mm)	3-1/4" (83mm)	686 lb. (311 kg)/ 46 lb./sq.ft. (223 kg/sq.m)	95 lb. (209 kg.)	71 gal. (269 l.)	64 gal. (243 l.)

TABLE 3

ROUGH-IN REFERENCES



SPECIFICATIONS:

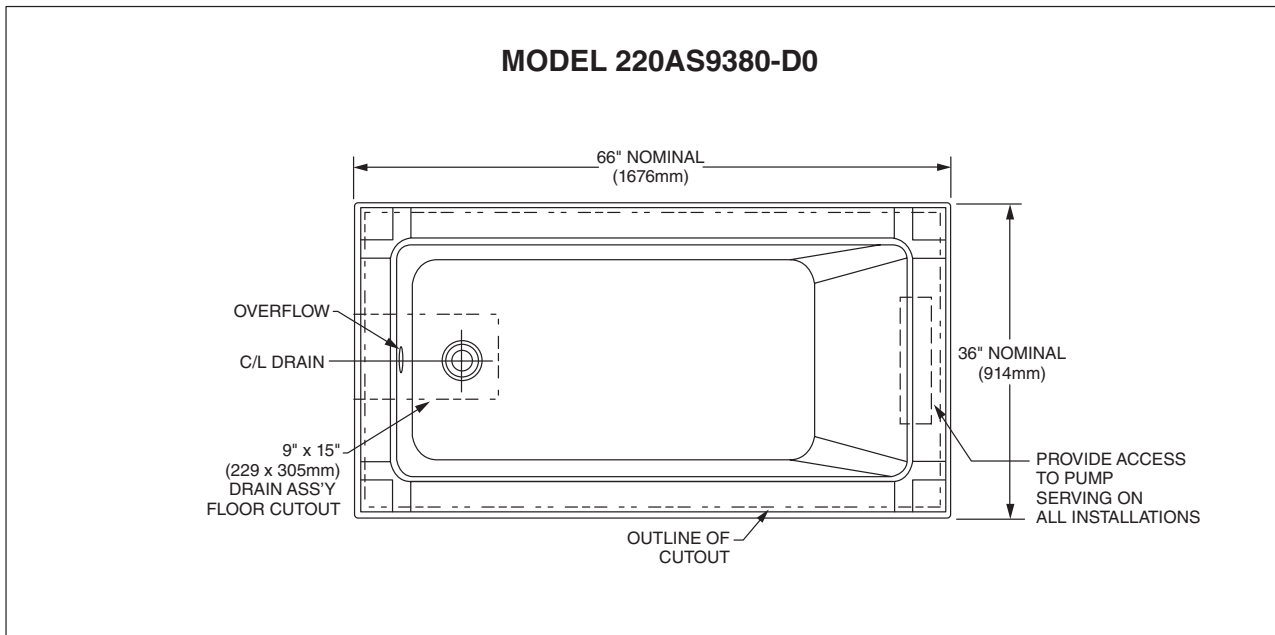


GENERAL SPECIFICATIONS FOR FERREN 5-1/2' x 36" WHIRLPOOLS AND BATH TUBS

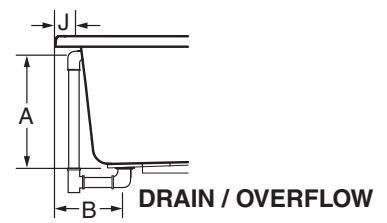
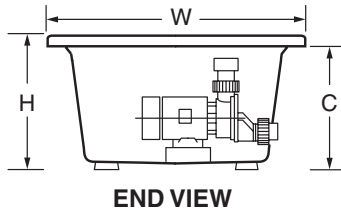
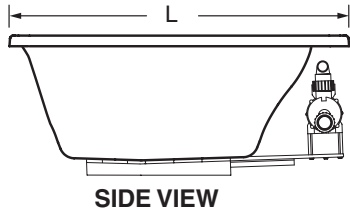
Description	Deck Trim Option	Dimensions L-W-H	Drain / Overflow	Height to Underside of Deck Edge: C	Cut Out Pier G x F	Rough-In Recess E x D	Tub Edge to Centerline Overflow: J	Weight with Water / Floor Loading	Product Weight	Gallon to Overflow	Whirlpool Operating Volume
2938 5-1/2' x 36"	Zero (5/8")	L 65-1/2" (1664mm) W 35-1/2" (902mm) H 22-1/2" (572mm)	A 17-3/4" (451mm) B 10-3/4" (273mm)	C 21-7/8" (556mm)	64" (1626mm) x 34" (864mm)	65-11/16" (1668mm) x 34" (864mm)	3-1/4" (83mm)	766 lb. (348 kg)/ 46 lb./sq.ft. (227 kg/sq.m)	100 lb. (220 kg.)	80 gal. (303 l.)	73 gal. (277 l.)
2938 5-1/2' x 36"	2"	L 65-3/4" (1670mm) W 35-3/4" (908mm) H 22-1/2" (572mm)	A 17-3/4" (451mm) B 10-7/8" (276mm)	C 20-1/2" (521mm)	64-1/4" (1632mm) x 34-1/4" (870mm)	65-15/16" (1675mm) x 34-1/4" (870mm)	3-1/4" (83mm)	766 lb. (348 kg)/ 46 lb./sq.ft. (227 kg/sq.m)	100 lb. (220 kg.)	80 gal. (303 l.)	73 gal. (277 l.)

TABLE 4

ROUGH-IN REFERENCES



SPECIFICATIONS:

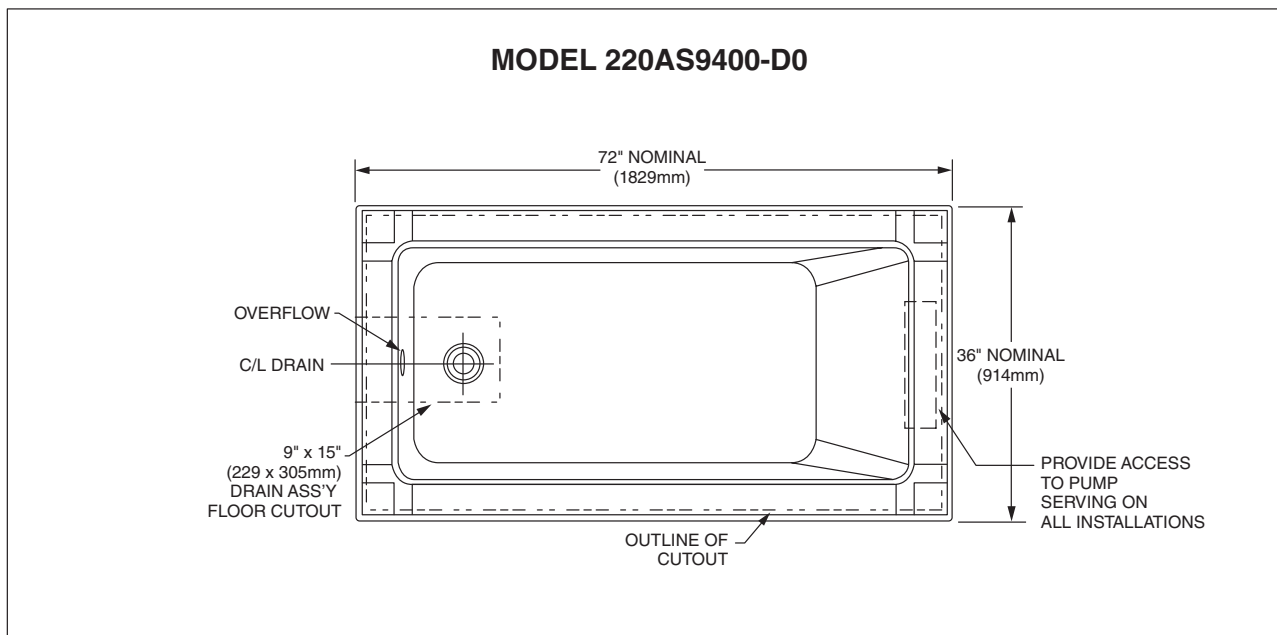


GENERAL SPECIFICATIONS FOR FERREN 6' x 36" WHIRLPOOLS AND BATH TUBS

Description	Deck Trim Option	Dimensions L-W-H	Drain / Overflow	Height to Underside of Deck Edge: C	Cut Out Pier G x F	Rough-In Recess E x D	Tub Edge to Centerline Overflow: J	Weight with Water / Floor Loading	Product Weight	Gallon to Overflow	Whirlpool Operating Volume
2940 6' x 36"	Zero (5/8")	L 71-1/2" (1816mm) W 35-1/2" (902mm) H 22-1/2" (572mm)	A 17-3/4" (451mm) B 10-3/4" (273mm)	C 21-7/8" (556mm)	70" (1778mm) x 34" (864mm)	71-11/16" (1821mm) x 34" (864mm)	3-1/4" (83mm)	846 lb. (384 kg)/ 47 lb./sq.ft. (230 kg/sq.m)	105 lb. (231 kg.)	89 gal. (337 l.)	81 gal. (307 l.)
2940 6' x 36"	2"	L 71-3/4" (1822mm) W 35-3/4" (908mm) H 22-1/2" (572mm)	A 17-3/4" (451mm) B 10-7/8" (276mm)	C 20-1/2" (521mm)	70-1/4" (1784mm) x 34-1/4" (870mm)	71-15/16" (1827mm) x 34-1/4" (870mm)	3-1/4" (83mm)	846 lb. (384 kg)/ 47 lb./sq.ft. (230 kg/sq.m)	105 lb. (231 kg.)	89 gal. (337 l.)	81 gal. (307 l.)

TABLE 5

ROUGH-IN REFERENCES



Your new acrylic bathtub is tough, durable and easy to care for. The colors have been formulated to match other fixtures and enhance your choice of bathroom decorations. The high gloss surface will retain its lasting luster with proper care and maintenance.

CLEANING AND MAINTENANCE:

- Always fill the tub with temperate water. Excessively hot water (greater than 130° F) may cause surface damage.
- Remove bath mat after use and hang to dry. Allowing bath mat to dry in the tub may cause surface damage.
- Clean after use with a mild liquid household detergent cleaner. Do not turn on jets when such cleaners are present.

Do not use: Lestoil® Cleaner; Lysol® Disinfectant (spray or concentrate); or Lysol® Basin, Tub and Tile Cleaner; Windex® Cleaner; Mr. Clean® Cleaner; Dow® Disinfectant Bathroom Cleaner*; or other cleaning products in aerosol cans.

HARSH CHEMICALS, SHARP AND ABRASIVE OBJECTS SHOULD NEVER BE USED ON ACRYLIC SURFACES

- Do not use wire brushes, knives or sharp objects to remove stains or other surface blemishes.
- Use of abrasive cleaners or powders will dull the surface. If the glossy surface loses its sheen, dulled areas can be partially restored by rubbing with a white automotive body polishing compound and waxing with a liquid wax.
Do not wax surfaces where you walk or stand.
- Do not allow nail polish remover, acetone, dry-cleaning fluid, paint remover, or other solvents to come into contact with the surface.
- Clean the surrounding surface immediately after using caustic drain cleaners.
Do not permit drain cleaner to enter circulation system.
- Burning cigarettes will irreparably damage the surface of the whirlpool.

CLEANING/PURGING THE CIRCULATION SYSTEM

Once every month the circulating system must be purged and cleaned. Follow the steps outlined below:

1. Fill whirlpool with warm water and add two teaspoons of powdered automatic dishwasher (not laundry) detergent and one-half cup of household bleach to filled whirlpool.
2. Activate whirlpool system in accordance with operating instructions and run system for two minutes.
3. Drain and refill whirlpool with cold water. Circulate for five minutes.
4. Drain whirlpool completely after step 3 (above) is completed.

For Troubleshooting and Repair Parts please log on to www.americanstandard-us.com

* Lestoil® is a registered trademark of The Clorox Company.
Lysol® is a registered trademark of The Linden Company.
Windex® is a registered trademark of S.C. Johnson and Son, Inc.
Mr. Clean® is a registered trademark of The Proctor and Gamble Company.
Dow® is a registered trademark of The Dow Chemical Company.