

# INSTALLATION INSTRUCTIONS

## Integral Apron AFR Tub

MODEL: 220AS5731R / 220AS5732L

HIGH GLOSS ACRYLIC SURFACE

### BEFORE YOU BEGIN....

Your new bath is shipped to you after careful inspection.

To ensure maximum performance and pleasure from this product, please follow the instructions and cautions.

Local building codes vary by location. Observe all local plumbing and building codes.

### TOOLS & MATERIALS REQUIRED

#### TOOLS:

- Level
- Square
- Tape Measure
- Pipe Wrench
- Slip Joint Pliers
- Screw Driver
- Standard Woodworking Tools
- Personal Safety Equipment
- Caulking Gun

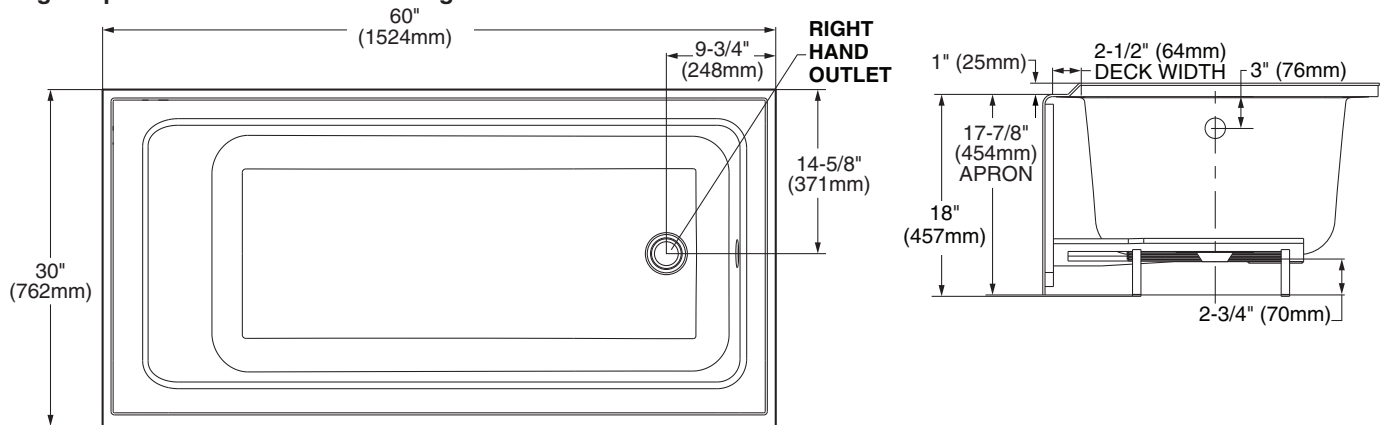
#### MATERIALS:

- Nails
- Plumber's Putty
- Silicone Sealant
- 1 x 3 or 2 x 4 Stringers
- Drop Cloth
- Mortar Mix or Grout

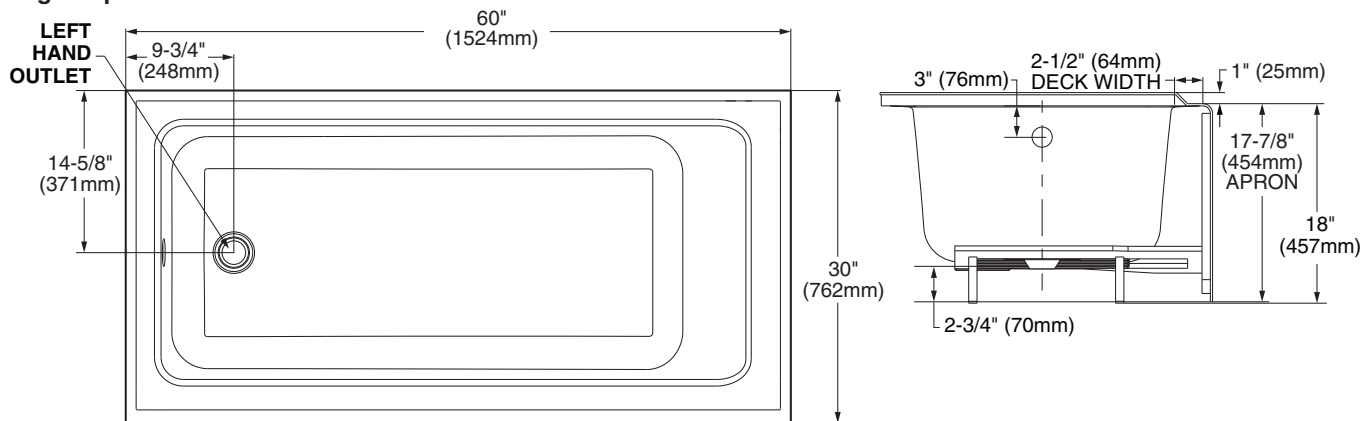
**NOTE:** Take extra care in handling surfaces of the bath. Use only non-abrasive cloths to avoid scratching.

### ROUGH-IN INFORMATION:

#### Integral Apron AFR Tub 220AS5731R Right Drain



#### Integral Apron AFR Tub 220AS5732L Left Drain



#### GENERAL SPECIFICATIONS FOR 220AS573 TUB

INSTALLED SIZE	60 x 30 x 18 In. (1524 x 762 x 457mm)
WEIGHT	56 Lbs. (25 Kg)
WEIGHT w/WATER	332 Lbs. (151 Kg)
GAL. TO OVERFLOW	40 Gal. (150 L)
BATHING WELL AT SUMP	20-1/2 x 44.5 In. (521 x 1130mm)
BATHING WELL AT RIM	23 x 53 In. (584 x 1346mm)
WATER DEPTH TO OVERFLOW	10-13/16 In. (274mm)
FLOOR LOADING (PROJECTED AREA)	26 Lbs./Sq.Ft. (129 Kgs/Sq.m)
PTS.	14.1
CUBE (FT <sup>3</sup> )	26.39

# MAIDSTONE



## **GENERAL INSTALLATION INFORMATION ...**

1. When installing the coordinating bath walls (2946BW only), additional studs may be required. Refer to those installation instructions prior to installing tub.
2. Bath walls are to be installed over stud walls.
3. Bath may only be installed in a recess installation.
4. It is recommended that the bathtub is set in a small bed of mortar or grout to compensate for uneven floors. Stringers will help level tub, but will not provide adequate support.
5. Take extra care when driving nails or screws to avoid damaging the tub.

# 1

## INSTALLATION AND FRAMING INSTRUCTIONS:

**A.)** Locate studs as required. Ensure roughing-in dimensions are proper, plumb, and square (Fig. 1). It is strongly recommended that an additional opening be provided for access to the drain components.

**B.)** Mark the position of the underside of the deck by tracing a line onto the studs at the height indicated, using a level or other suitable straight edge (Fig. 2).

**C.)** With the top of the stringer touching the traced line, attach the stringer to the studs (Fig. 3).

Fig. 1

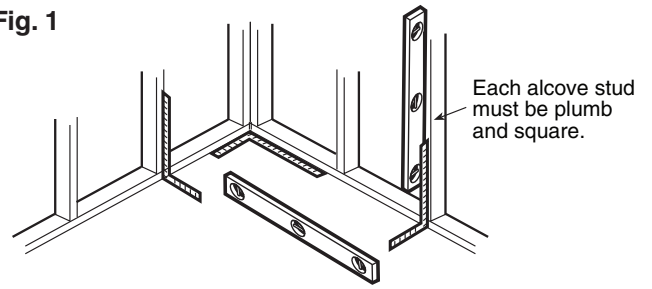


Fig. 2

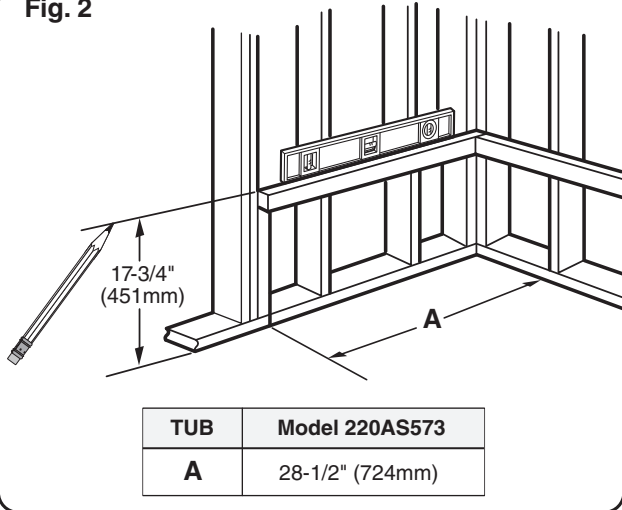
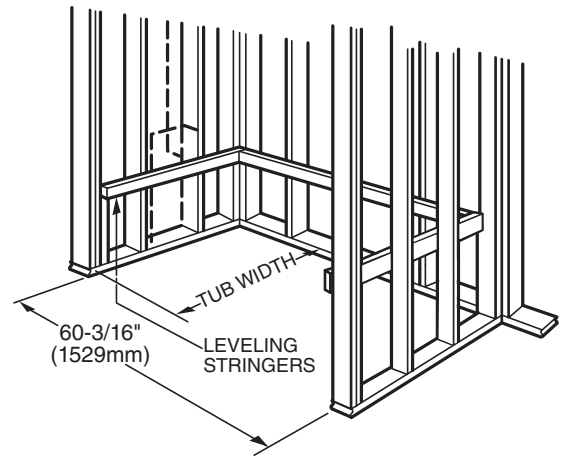


Fig. 3 TYPICAL RECESS INSTALLATION



# 2

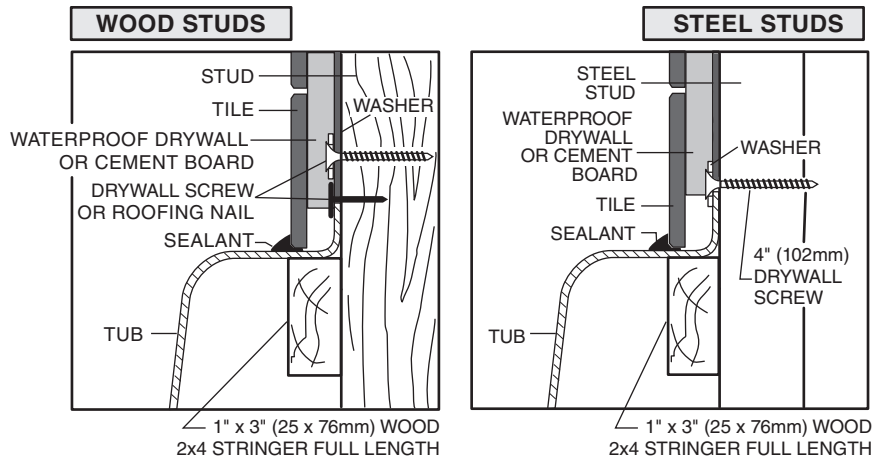
**A.)** Position the bath within the recess until the rim is leveled against the leveling stringers. The rim of the bath **MUST NOT** support weight.

**B.)** Check level front to back and side to side, shim as necessary. To secure the tub to wood studs, use drywall screws with flatwashers or roofing nails immediately above the flange of the bath. To secure the tub to steel studs, use 4" (102mm) drywall screws and flatwashers. (see Fig. 4)

**C.)** Any finish material such as tile or wallboard must be self-supporting if it contacts the deck of the bath. Flooring will be butted against the bottom of the tub apron, also holding the tub in place.

Fig. 4

## TYPICAL FLANGE MOUNTING DETAIL SUGGESTED BATH INSTALLATION METHOD



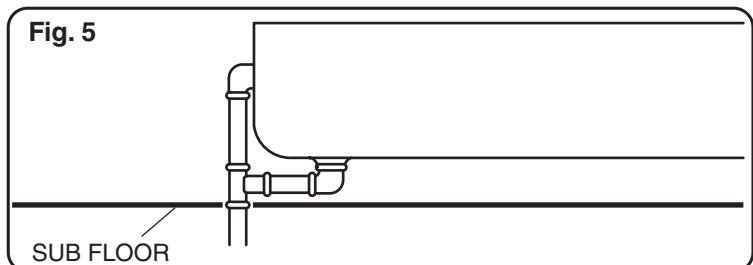
**SECURE THE BATH TO THE STUDS AS SHOWN FOR WOOD OR STEEL STUD CONSTRUCTION.**

# 3

## DRAIN CONNECTION

Using recommended drain opening, connect bath drain to waste line. Tighten all drain joints securely. (see Fig. 5)

Fig. 5



**POST INSTALLATION CLEAN-UP**

Remove all construction debris from bath. Tile grout can be removed with a wooden popsicle stick or tongue depressor. Do not use wire brushes or any other metal implement on bath surface.

Post installation clean-up generally can be completed using warm water and liquid dishwashing detergent. Stubborn dirt or stains may be removed using granular Spic and Span® mixed with water.

Painter's naphtha can be used to remove excess adhesives and/or wet oil-base paint.

**FEATURES of YOUR NEW AMERICAN STANDARD ACRYLIC BATHTUB**

Your new acrylic bathtub has been molded in the newest plumbing fixture material available today. Acrylics are tough durable finishes that are simple and easy to care for. The colors have been formulated to match other MAIDSTONE® fixtures and enhance your choice of bathroom decorations. The high gloss surface is resistant to impact and chemicals and will retain its lasting luster with proper care and maintenance.

**AFTERCARE and CLEANING**

- Always fill the tub with temperate water. Excessively hot water may cause surface damage.
- Remove bath mat after use and hang to dry. Allowing bath mat to dry in the tub may cause surface damage.
- Clean after use with a mild liquid household detergent cleaner. Abrasive cleaners such as Lestoil®, Lysol® Disinfectant (spray or concentrate), or Lysol® Basin, Tub and Tile Cleaner, Windex®, Mr. Clean®, Dow® Disinfectant Bathroom Cleaner, or cleaning products in aerosol cans should not be used.

**HARSH CHEMICALS SHOULD NEVER BE USED ON ACRYLIC SURFACES.**

- Do not use wire brushes, knives or sharp objects to remove stains, cigarette tar deposits, or other surface blemishes.
- Abrasive cleaners or powders must not be used, since they will dull the surface. If the glossy surface loses its sheen, dulled areas can be restored by rubbing with a white polishing compound and waxing with a "liquid wax."
- **Do not wax areas where you walk or stand.**
- Do not allow nail polish remover, acetone, dry cleaning fluid, paint remover or other solvents to come into contact with the surface.
- Clean the surrounding surface immediately after using caustic drain cleaners.
- Burning cigarettes will damage the surface.
- Should damage to the fixture occur, repairs can be made quickly and easily. Your distributor or builder can provide details.

SPIC AND SPAN® IS A REGISTERED TRADEMARK OF THE SPIC AND SPAN COMPANY