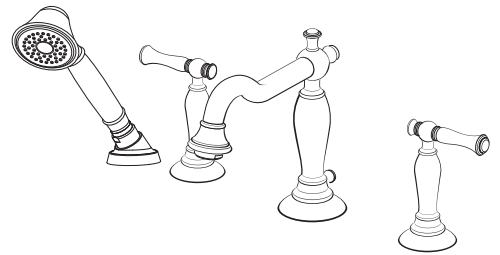


# INSTALLATION INSTRUCTIONS

## Quentin™ Roman Tub Filler

T440900  
T440901

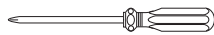


Certified to comply with ANSI A112.18.1M

Thank you for selecting American Standard...  
the benchmark of fine quality for over 140 years.

To ensure that your installation proceeds smoothly-please read these instructions carefully before you begin.

### RECOMMENDED TOOLS



Phillips Screwdriver



Channel Locks



Adjustable Wrench

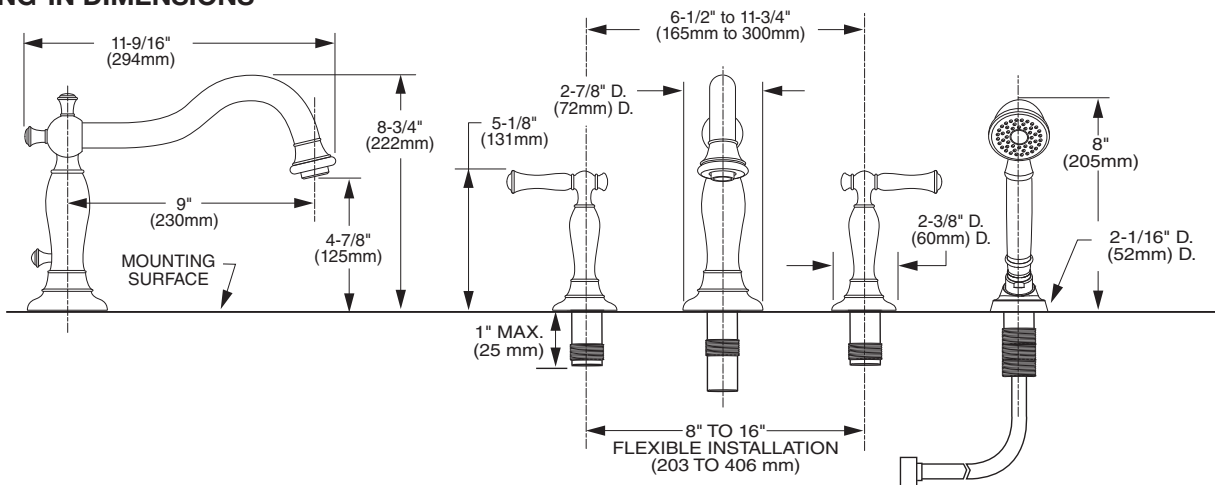


Flat Blade Screwdriver



Hex Wrench (supplied)

### ROUGHING-IN DIMENSIONS



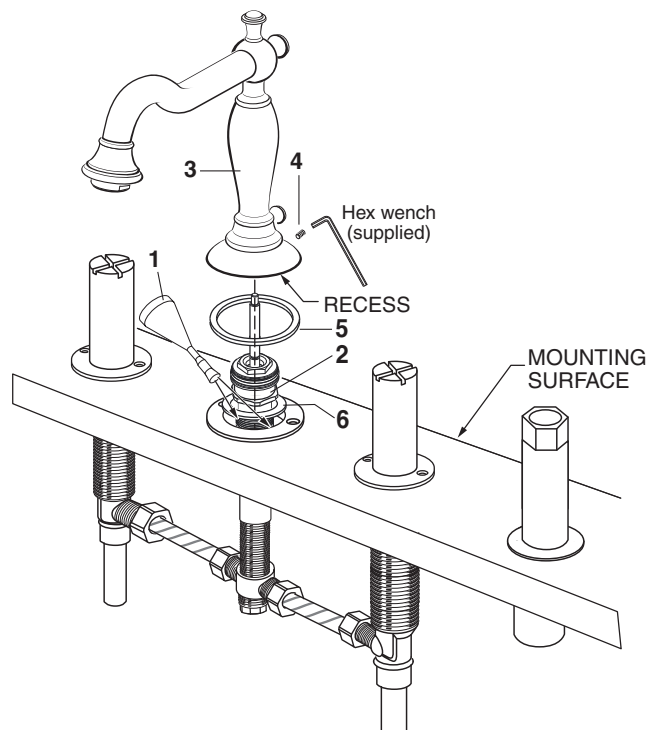
### 1 INSTALL SPOUT

**CAUTION** Turn off hot and cold water supplies before beginning.

- Apply 4-5 drops of THREADLOCKER (1) on DIVERTER INSERT (2) threads (supplied).

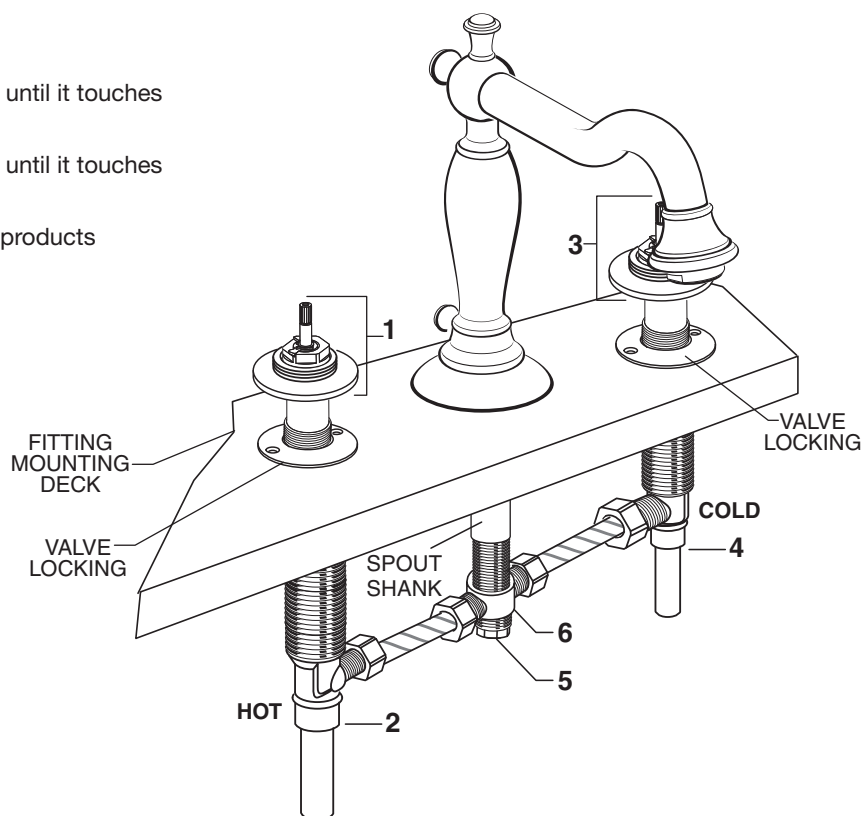
**NOTE:** If installing on finished deck, install DIVERTER INSERT (2) through WASHER (6).

- Thread DIVERTER INSERT (2) carefully until it touches the installation surface, be sure the RUBBER RING (5) is properly seated in it's RECESS at the base of the SPOUT (3).
- Thread SET SCREW (4) using 5 mm hex wrench supplied. Make certain SET SCREW (4) is properly aligned and tight so that SPOUT (3) is locked in place.



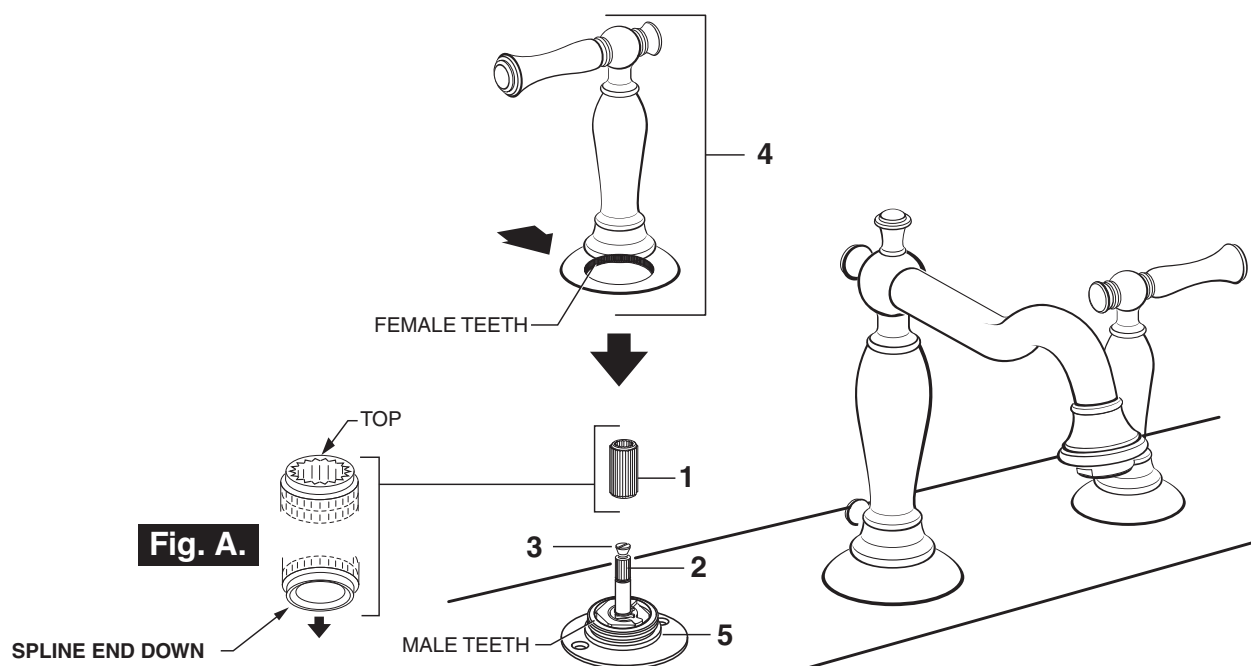
## 2 VALVE ASSEMBLY

- Remove PLASTER GUARDS.
- Thread INSERT (1) into SIDE VALVE (2) until it touches the installation surface.
- Thread INSERT (3) into SIDE VALVE (4) until it touches the installation surface.
- Tighten COUPLING (5) into TEE (6) for products without hand shower.



## 3 INSTALL HANDLES

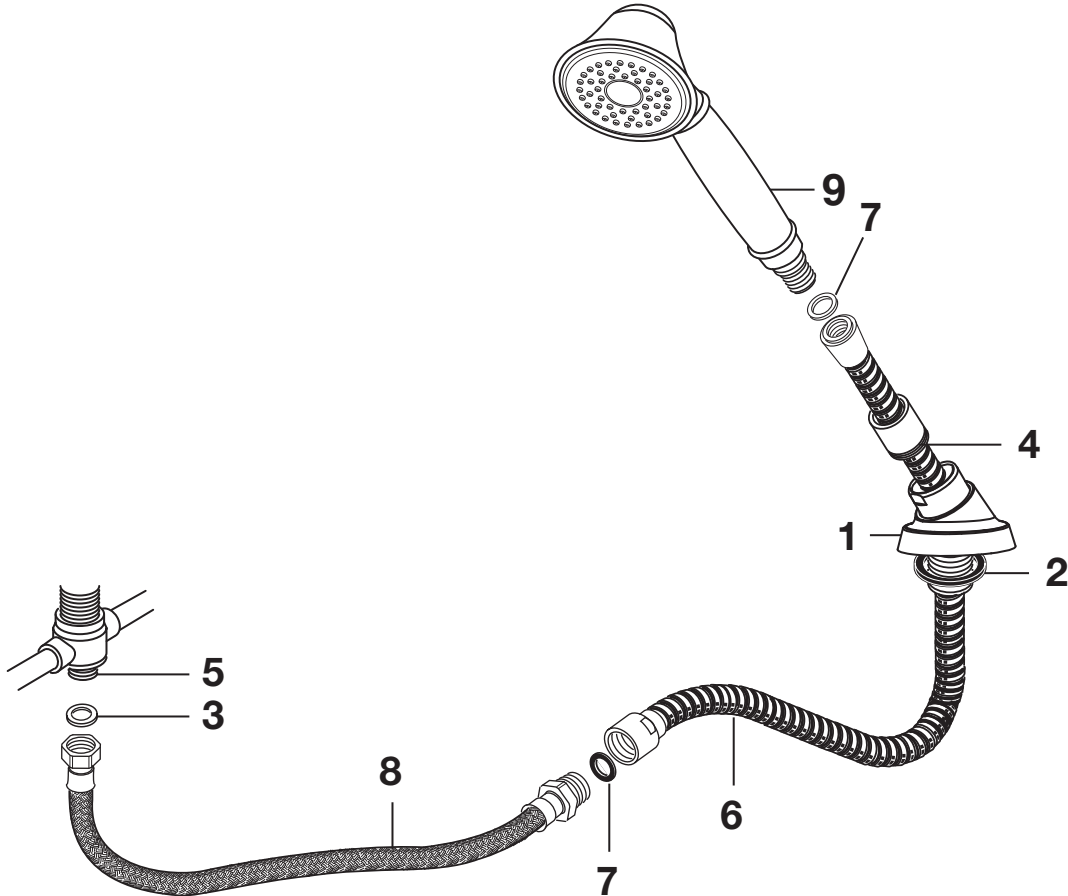
- Turn VALVE to OFF position.
- Push ADAPTER (1) on VALVE STEM (2), so that the hole of the ADAPTER (1) without a spline is facing up. **Fig. A.** Tighten STEM SCREW (3) to secure ADAPTER (1).
- Align DECK ADAPTER (5) to LEVER HANDLE ASSEMBLY (4). Push LEVER HANDLE ASSEMBLY (4) onto DECK ADAPTER (5) firmly to flush against mounting surface.



## 4 HANDSHOWER INSTALLATION

- Drop SPRAY ESCUTCHEON (1) through the fourth hole of the tub ledge (12" max from SPOUT center) with SPRAY ESCUTCHEON (1) directed towards tub center. Be sure RUBBER RING (2) is properly seated in ESCUTCHEON (1).
- Add SEAL WASHER (3) and connect HOSE (8) to outlet nipple at the bottom of TEE (5). Tighten firmly.
- Slip SHOWER HOSE (6) with COUPLING NUT through SPRAY HOLDER (4) and ESCUTCHEON (1). (Note: SPRAY HOLDER (4) must be separate from ESCUTCHEON (1) to get HOSE (6) through ESCUTCHEON (1). Install SEAL (7) before connecting both HOSES (6) and (8). INSTALL second SEAL (9) and connect HAND SHOWER (9) to SPRAY HOSE (6).

**NOTE: When not in use, HAND SHOWER should be seated in the HOLDER.**



## 5 CARE INSTRUCTIONS:

**DO:** SIMPLY RINSE THE PRODUCT CLEAN WITH CLEAR WATER. DRY WITH A SOFT COTTON FLANNEL CLOTH.

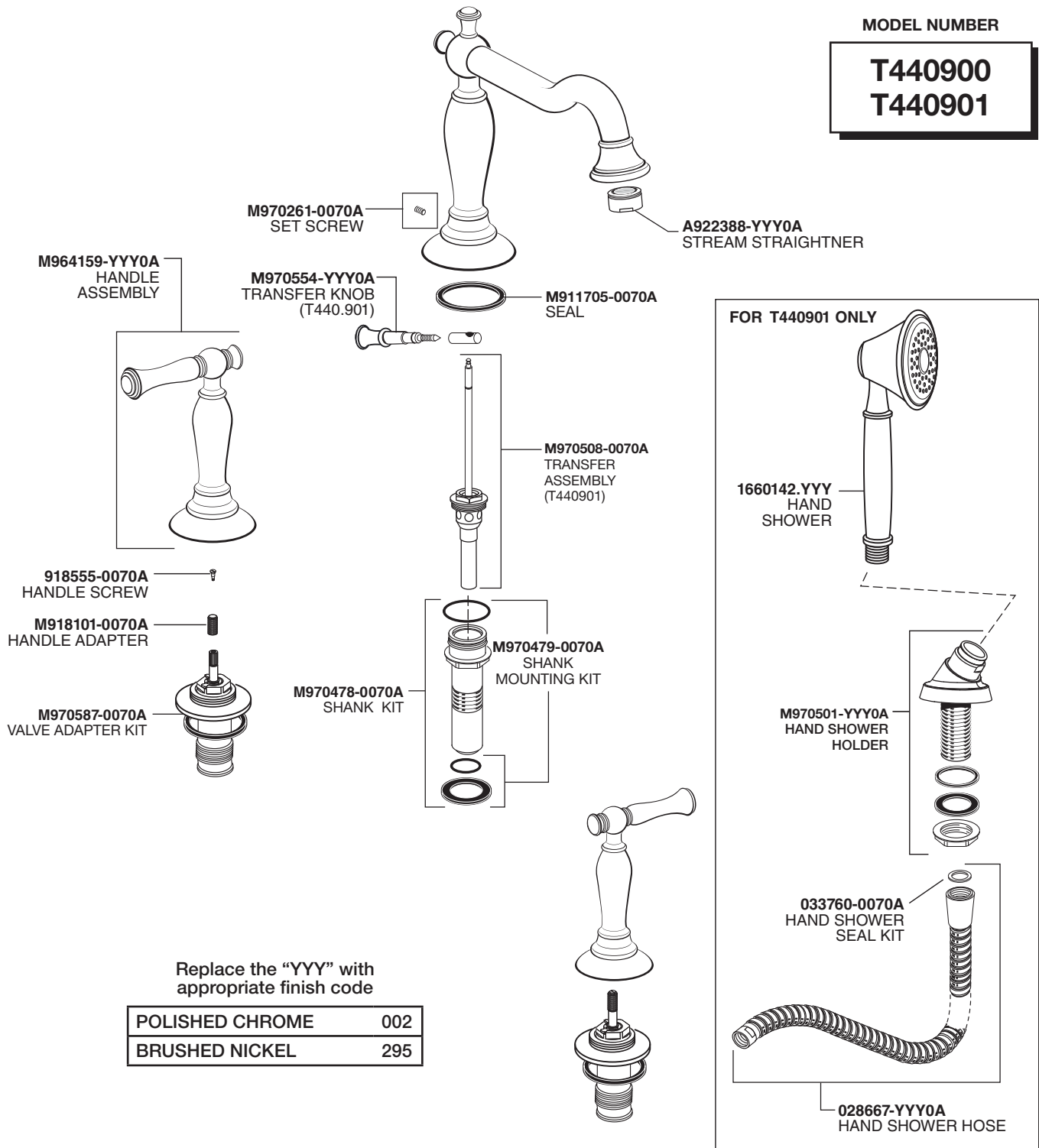
**DO NOT:** DO NOT CLEAN THE PRODUCT WITH SOAPS, ACID, POLISH, ABRASIVES, HARSH CLEANERS, OR A CLOTH WITH A COARSE SURFACE.

# American Standard

## Quentin™ Roman Tub Filler

MODEL NUMBER

**T440900**  
**T440901**



### HOT LINE FOR HELP

For toll-free information and answers to your questions, call:  
1 (800) 442-1902  
Mon. - Fri. 8:00 a.m. to 8:00 p.m. EST  
Saturday 10:00 a.m. to 4:00 p.m. EST  
IN CANADA 1-800-387-0369  
(TORONTO 1-905-306-1093)  
Weekdays 8:00 a.m. to 7:00 p.m. EST  
IN MEXICO 01-800-839-1200



PART OF **LIXIL**