

# ELKAY® SPECIFICATIONS

## Push Lever Glass Filler Model LK109A

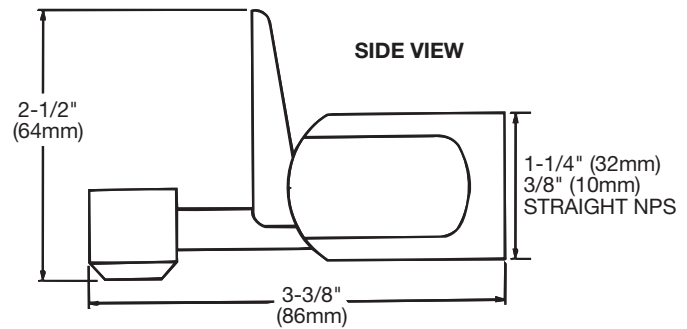
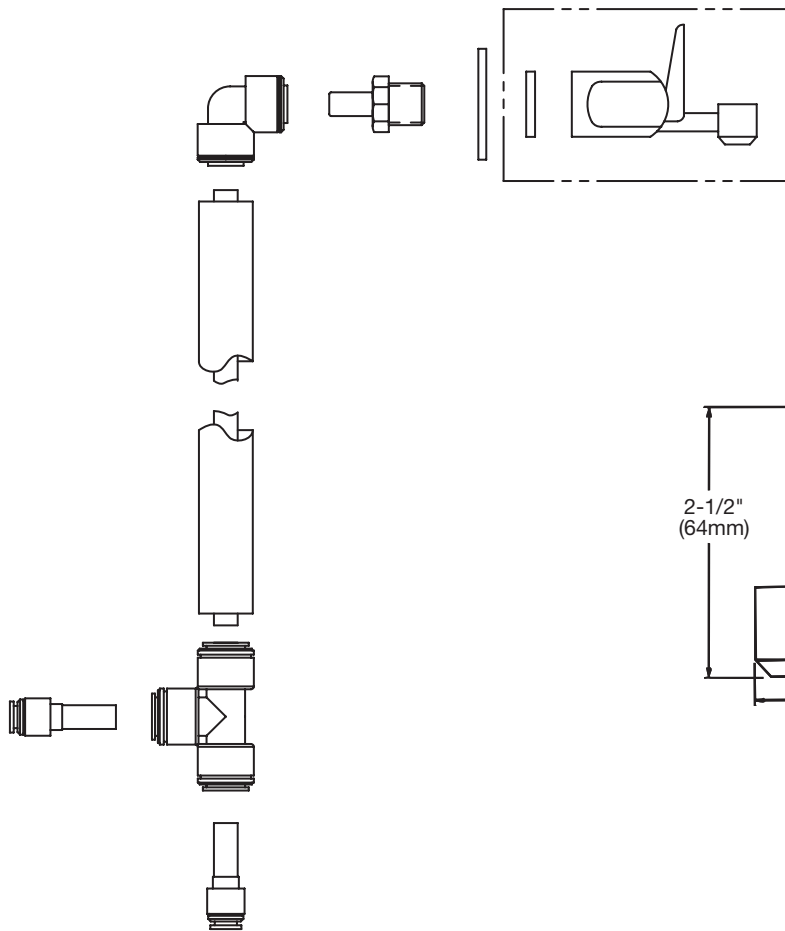
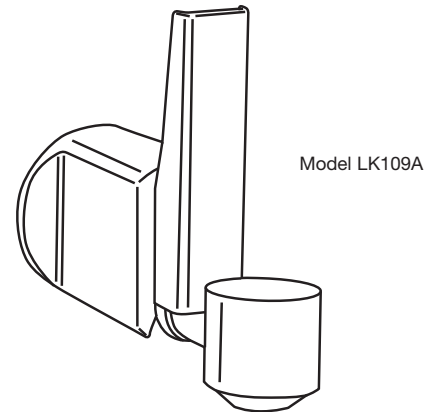
### GENERAL

Cup and carafe filler for recessed water coolers and EHF Series. Factory installed only. Uses no lead-containing materials.

Note: When ordering with pressure cooler, glass filler LK109A glass filler is furnished completely installed. LK109A ordered with fountain includes supply tube.

### FEATURES

- Bright polished stainless steel construction with push lever
- 3/8" (10mm) NPS supply
- 100% lead free
- Dimensions: 3-3/8" (86mm) overall length, 1-1/4" (32mm) overall width, and 2-1/2" (64mm) overall height
- Ship weight is 1 lb. (.5Kg)



*In keeping with our policy of continuing product improvement, Elkay reserves the right to change product specifications without notice. Please visit [elkayusa.com](http://elkayusa.com) for most current version of Elkay product specification sheets.*

*This specification describes an Elkay product with design, quality and functional benefits to the user. When making a comparison of other producers' offerings, be certain these features are not overlooked.*