

This file has been cleaned of potential threats.

If you confirm that the file is coming from a trusted source, you can send the following SHA-256 hash value to your admin for the original file.

f64d86c8cc7b11704f4611477a8403a904c7a56992d98a70bb943fa51f96fe4f

To view the reconstructed contents, please SCROLL DOWN to next page.

PRODUCT SPECIFICATIONS

Elkay 3-1/2" Drain with Removable 13" (11-1/2" assembled)
Standpipe 13" Rubber Stopper. Overall dimensions are 4-5/8" x 4-5/8" x 18-7/16". Made of Stainless Steel.

Material:	Stainless Steel
Finish:	Polished Stainless Steel
Dimensions:	4-5/8" x 4-5/8" x 18-7/16"
Shipping Weight:	2 lbs.

Special Note: Type 304 Stainless Steel body and tailpiece

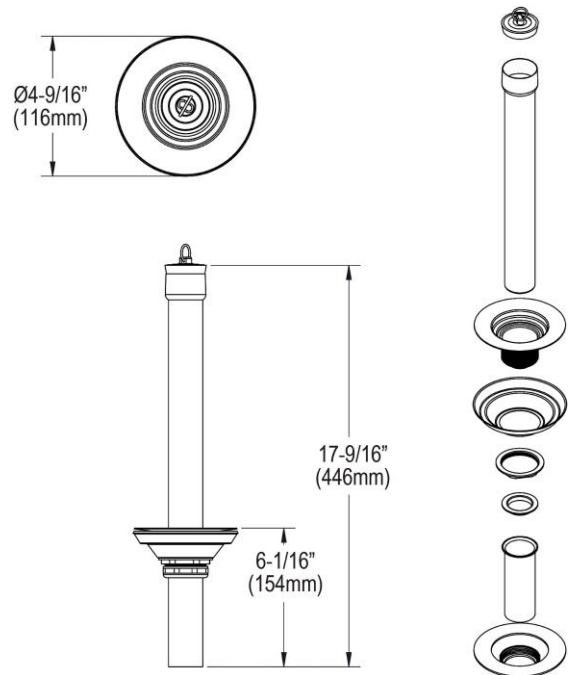
- 1-1/2" O.D. x 4" tailpiece.



AMERICAN PRIDE. A LIFETIME TRADITION.
Like your family, the Elkay family has values and traditions that endure. For almost a century, Elkay has been a family-owned and operated company, providing thousands of jobs that support our families and communities.

Product Compliance: ASME A112.18.2/CSA B125.2

[Clean and Care Manual \(PDF\)](#)



PART: _____ QTY: _____

PROJECT: _____

CONTACT: _____

DATE: _____

NOTES: _____

APPROVAL: _____

In keeping with our policy of continuing product improvement, Elkay reserves the right to change product specifications without notice. Please visit elkay.com for the most current version of Elkay product specification sheets. This specification describes an Elkay product with design, quality, and functional benefits to the user. When making a comparison of other producers' offerings, be certain these features are not overlooked.