

This file has been cleaned of potential threats.

If you confirm that the file is coming from a trusted source, you can send the following SHA-256 hash value to your admin for the original file.

bdee77f8441da88b906935678928062ee138892bc9858bfd49b8b2bea24e1398

To view the reconstructed contents, please SCROLL DOWN to next page.

**PRODUCT SPECIFICATIONS**

Elkay Deluxe Drain 3-1/2" Type 304 Stainless Steel Body for Fireclay Sinks. Overall dimensions are 4-7/16" x 4-7/16" x 7-9/16". Made of Stainless Steel.

<b>Material:</b>	Stainless Steel
<b>Finish:</b>	Chrome (CR)
<b>Dimensions:</b>	4-7/16" x 4-7/16" x 7-9/16"
<b>Shipping Weight:</b>	1 lbs.

**Special Note:** Thread length of body sub-assembly - 1-3/4". Replacement strainer basket 72002169: \$19.00

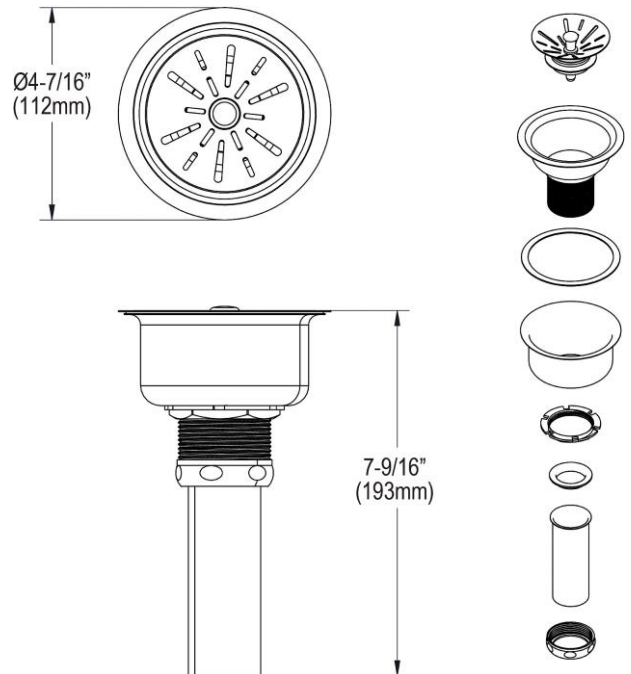
- Chrome-plated type 304 stainless steel conical strainer basket with ball bearing stem and rubber seal.
- 1-1/2" O.D. x 4" type 304 stainless steel tailpiece.



AMERICAN PRIDE. A LIFETIME TRADITION.  
Like your family, the Elkay family has values and traditions that endure. For almost a century, Elkay has been a family-owned and operated company, providing thousands of jobs that support our families and communities.

**Product Compliance:** ASME A112.18.2/CSA B125.2

[Clean and Care Manual \(PDF\)](#)  
[Installation Instructions \(PDF\)](#)



PART: \_\_\_\_\_ QTY: \_\_\_\_\_

PROJECT: \_\_\_\_\_

CONTACT: \_\_\_\_\_

DATE: \_\_\_\_\_

NOTES: \_\_\_\_\_

APPROVAL: \_\_\_\_\_

*In keeping with our policy of continuing product improvement, Elkay reserves the right to change product specifications without notice. Please visit [elkay.com](http://elkay.com) for the most current version of Elkay product specification sheets. This specification describes an Elkay product with design, quality, and functional benefits to the user. When making a comparison of other producers' offerings, be certain these features are not overlooked.*