

This file has been cleaned of potential threats.

If you confirm that the file is coming from a trusted source, you can send the following SHA-256 hash value to your admin for the original file.

e7f56ace18692fd14140d1187077895e3248b5fbb3906fe6b531446d9234f6ea

To view the reconstructed contents, please SCROLL DOWN to next page.

PRODUCT SPECIFICATIONS

Elkay Deluxe Drain Kit with Satin Finish 3-1/2 Type 304 Stainless Steel Body for Fireclay Sinks. Overall dimensions are 4-7/16" x 4-7/16" x 7-9/16". Made of Stainless Steel.

Material:	Stainless Steel
Finish:	Satin
Dimensions:	4-7/16" x 4-7/16" x 7-9/16"
Shipping Weight:	1 lbs.

Special Note: Thread length of body sub-assembly - 1-3/4".
Replacement strainer basket 72002169: \$19.00

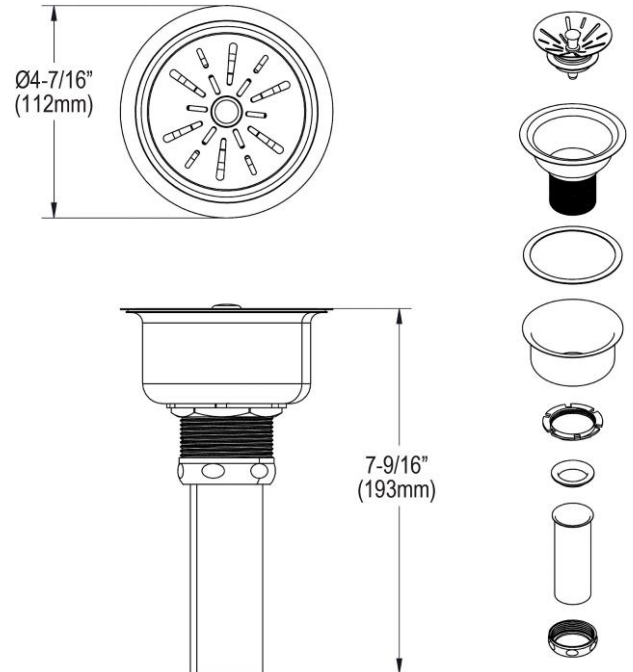
- Satin finished type 304 stainless steel conical strainer basket with ball bearing stem and rubber seal.
- 1-1/2" O.D. x 4" type 304 stainless steel tailpiece.



AMERICAN PRIDE. A LIFETIME TRADITION.
Like your family, the Elkay family has values and traditions that endure. For almost a century, Elkay has been a family-owned and operated company, providing thousands of jobs that support our families and communities.

Product Compliance: ASME A112.18.2/CSA B125.2

[Clean and Care Manual \(PDF\)](#)
[Installation Instructions \(PDF\)](#)



PART: _____ QTY: _____
 PROJECT: _____
 CONTACT: _____
 DATE: _____
 NOTES: _____
 APPROVAL: _____

In keeping with our policy of continuing product improvement, Elkay reserves the right to change product specifications without notice. Please visit elkay.com for the most current version of Elkay product specification sheets. This specification describes an Elkay product with design, quality, and functional benefits to the user. When making a comparison of other producers' offerings, be certain these features are not overlooked.