

This file has been cleaned of potential threats.

If you confirm that the file is coming from a trusted source, you can send the following SHA-256 hash value to your admin for the original file.

7df072091dcd61346b2996b52bfaba0f2da5ffc7e39e109950922e9ed9af7230

To view the reconstructed contents, please SCROLL DOWN to next page.

PRODUCT SPECIFICATIONS

Elkay 3-1/2" Disposal Stopper / Strainer for use with, InSinkErator® Disposal Chrome Polished Stainless Steel. Overall dimensions are 3-1/4" x 3-1/4" x 2-1/8". Made of Stainless Steel.

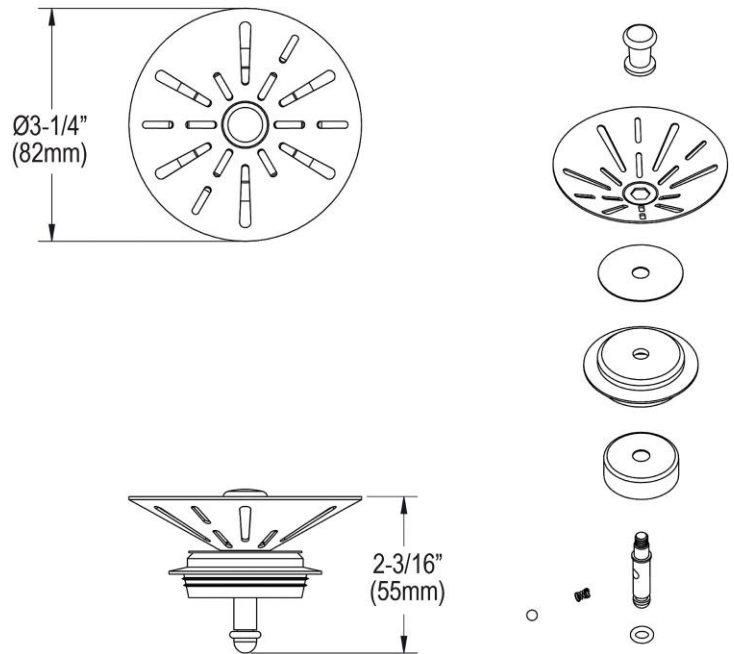
Material:	Stainless Steel
Finish:	Chrome (CR)
Dimensions:	3-1/4" x 3-1/4" x 2-1/8"
Shipping Weight:	.5 lbs.

- Type 304 stainless steel conical strainer basket with metal stem, rubber gasket, and plastic base.



AMERICAN PRIDE. A LIFETIME TRADITION.
Like your family, the Elkay family has values and traditions that endure. For almost a century, Elkay has been a family-owned and operated company, providing thousands of jobs that support our families and communities.

[Clean and Care Manual \(PDF\)](#)
[Installation Instructions \(PDF\)](#)



PART: _____ QTY: _____

PROJECT: _____

CONTACT: _____

DATE: _____

NOTES: _____

APPROVAL: _____

In keeping with our policy of continuing product improvement, Elkay reserves the right to change product specifications without notice. Please visit elkay.com for the most current version of Elkay product specification sheets. This specification describes an Elkay product with design, quality, and functional benefits to the user. When making a comparison of other producers' offerings, be certain these features are not overlooked.