

**PRODUCT SPECIFICATIONS**

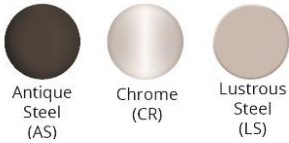
Elkay Explore Single Hole Bar Faucet with Forward Only Lever Handle. Faucet has a flow rate of 1.5 GPM, and is made of Brass material, with a Ceramic Disc valve. Faucet requires 1 faucet holes.

|                                |   |
|--------------------------------|---|
| <b>Mounting Type:</b>          | Deck Mount  |
| <b>Special Features:</b>       | Low Flow<br>Solid Brass Waterway Construction           |
| <b>Finish:</b>                 | Antique Steel (AS), Chrome (CR),<br>Lustrous Steel (LS) |
| <b>Handle Type:</b>            | Forward Only Lever Handle                               |
| <b>Deck Clearance:</b>         | 10-1/8"   |
| <b>Spout Reach:</b>            | 7"  |
| <b>Spout Height:</b>           | 13-3/4"   |
| <b>Hole Drillings:</b>         | 1   |
| <b>Material:</b>               | Brass   |
| <b>Valve Type:</b>             | Ceramic Disc  |
| <b>Valve Connection:</b>       | 1/2"-14 NPSM  |
| <b>Flow Rate:</b>              | 1.5 GPM   |
| <b>Faucet Hole Size (min):</b> | 1-3/8"  |
| <b>Countertop Thickness:</b>   | 2-1/2"  |
| <b>Spout Swing Rotation:</b>   | 360°  |
| <b>Spout Type:</b>             | Arc Tube  |

**Special Note:** 1.5 GPM flow regulator installed (2.2 GPM flow regulator also included with faucet)

**OPTIONAL ACCESSORIES**

- LK330 - Elkay 2-1/8" x 5-1/16" x 3-1/2" Soap / Lotion Dispenser
- LK130 - Elkay 3-Hole Deck Plate/Escutcheon, Lustrous Steel (LS)



Antique Steel (AS)    Chrome (CR)    Lustrous Steel (LS)



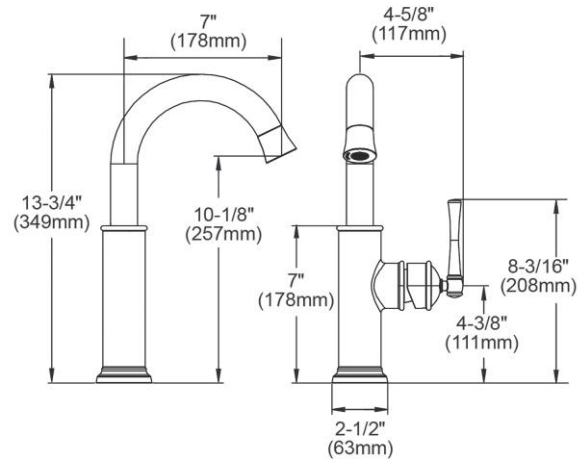
**AMERICAN PRIDE. A LIFETIME TRADITION.**  
Like your family, the Elkay family has values and traditions that endure. For almost a century, Elkay has been a family-owned and operated company, providing thousands of jobs that support our families and communities.

**Product Compliance:**    ADA & ICC A117.1  
   ASME A112.18.1/CSA B125.1  
   NSF 372 (lead free)  
   NSF 61



Complies with ADA & ICC A117.1 accessibility requirements when installed according to the requirements outlined in these standards.

- [Clean and Care Manual \(PDF\)](#)
- [Installation Instructions \(PDF\)](#)
- [Warranty \(PDF\)](#)



PART: \_\_\_\_\_ QTY: \_\_\_\_\_

PROJECT: \_\_\_\_\_

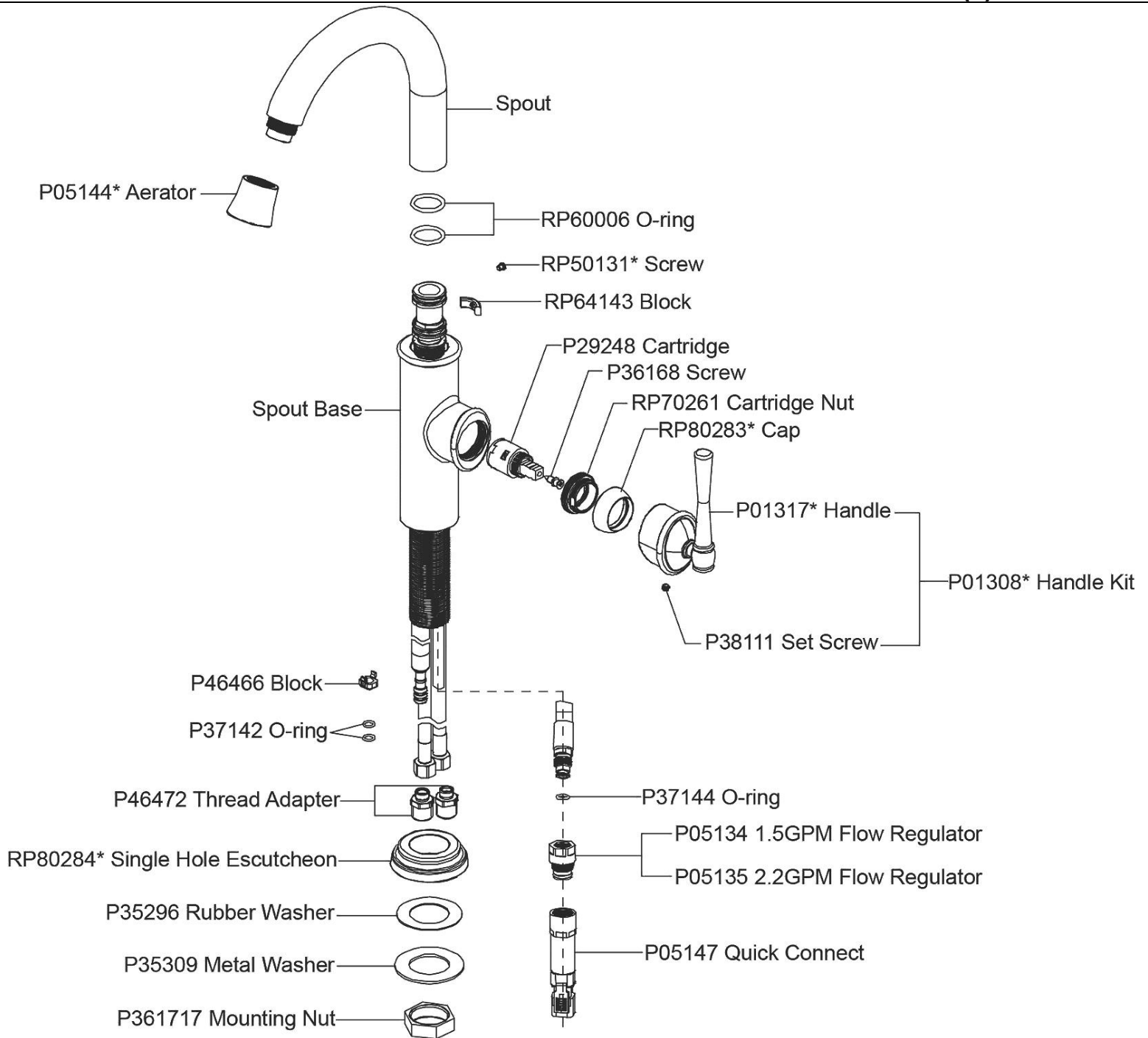
CONTACT: \_\_\_\_\_

DATE: \_\_\_\_\_

NOTES: \_\_\_\_\_

APPROVAL: \_\_\_\_\_

*In keeping with our policy of continuing product improvement, Elkay reserves the right to change product specifications without notice. Please visit [elkay.com](http://elkay.com) for the most current version of Elkay product specification sheets. This specification describes an Elkay product with design, quality, and functional benefits to the user. When making a comparison of other producers' offerings, be certain these features are not overlooked.*



*In keeping with our policy of continuing product improvement, Elkay reserves the right to change product specifications without notice. Please visit [elkay.com](http://elkay.com) for the most current version of Elkay product specification sheets. This specification describes an Elkay product with design, quality, and functional benefits to the user. When making a comparison of other producers' offerings, be certain these features are not overlooked.*