

This file has been cleaned of potential threats.

If you confirm that the file is coming from a trusted source, you can send the following SHA-256 hash value to your admin for the original file.

63c2724a7708bd106dab04586cb972016be3599ccbab39a464dad84fbefeb4c6

To view the reconstructed contents, please SCROLL DOWN to next page.

**PRODUCT SPECIFICATIONS**

Elkay Perfect Drain Chrome Plated Brass Body, Strainer and LKADOS Tailpiece. Overall dimensions are 15-13/16" x 4-5/8" x 10". Made of Chrome-plated Brass.

<b>Material:</b>	Chrome-plated Brass
<b>Finish:</b>	Chrome (CR)
<b>Dimensions:</b>	15-13/16" x 4-5/8" x 10"
<b>Shipping Weight:</b>	2 lbs.

- Perforated 3" grid strainer.
- 1-1/2" O.D. x 4" tailpiece.



AMERICAN PRIDE. A LIFETIME TRADITION.  
Like your family, the Elkay family has values and traditions that endure. For almost a century, Elkay has been a family-owned and operated company, providing thousands of jobs that support our families and communities.

**Product Compliance:** ADA  
ASME A112.18.2/CSA B125.2

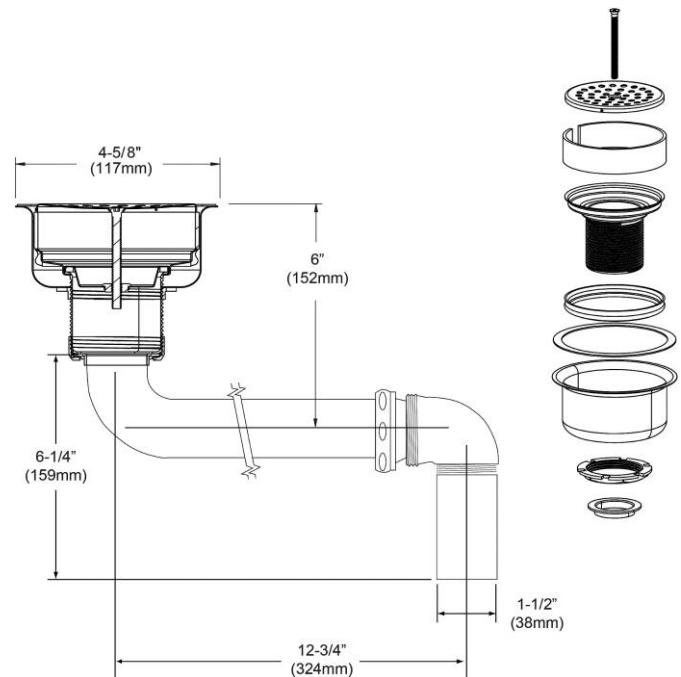


Drains are listed by IAPMO<sup>®</sup> as meeting the applicable requirements of the Uniform Plumbing Code<sup>®</sup>, International Plumbing Code<sup>®</sup>, and National Plumbing Code of Canada.



[clean care manual hyperlink title](#)  
[installation instructions hyperlink title](#)  
[product warranty \(PDF\)](#)

PART: \_\_\_\_\_ QTY: \_\_\_\_\_  
PROJECT: \_\_\_\_\_  
CONTACT: \_\_\_\_\_  
DATE: \_\_\_\_\_  
NOTES: \_\_\_\_\_  
APPROVAL: \_\_\_\_\_



*In keeping with our policy of continuing product improvement, Elkay reserves the right to change product specifications without notice. Please visit [elkay.com](http://elkay.com) for the most current version of Elkay product specification sheets. This specification describes an Elkay product with design, quality, and functional benefits to the user. When making a comparison of other producers' offerings, be certain these features are not overlooked.*