

PRODUCT SPECIFICATIONS

Elkay Lustertone™ Classic Stainless Steel 17" x 20" x 5", Single Bowl Drop-in ADA Sink. Sink is manufactured from 18 gauge 304 Stainless Steel with a Lustrous Satin finish, Rear Center drain placement, and Bottom only pads.

| | |
|------------------------------|-------------------------------------|
| Installation Type: | Drop-in |
| Material: | 304 Stainless Steel |
| Special Features: | Quick-Clip Mounting System |
| Finish: | Lustrous Satin |
| Gauge: | 18 |
| Sound Deadening: | Bottom only pads |
| Number of Bowls: | 1 |
| Sink Dimensions: | 17" x 20" x 5" |
| Bowl 1 Dimensions: | 14" x 14" x 5" |
| Drain Size: | 3-1/2" (89mm) |
| Drain Location: | Rear Center |
| Minimum Cabinet Size: | 21" |
| Mounting Hardware: | Included for 3/4" (19mm) countertop |
| Cutout Template #: | 1000001272 |

Template is available for download at [elkay.com](#). CAD software will be required to open the template.

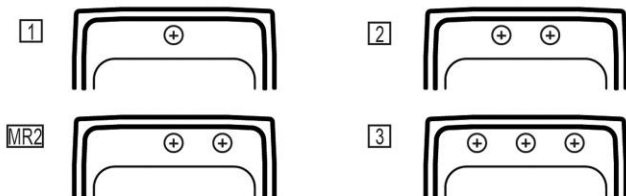
Cutout Dimensions for Drop-in Installation:

16-3/8" x 19-3/8" (416mm x 492mm) with 1-1/2" (38mm) corner radius

| | |
|---|--|
| Custom Options | |
| <input type="checkbox"/> Type 316 Stainless Steel | |
| Drain Location | |
| <input type="checkbox"/> Right Rear | <input type="checkbox"/> Left Rear |
| <input type="checkbox"/> Center | <input type="checkbox"/> Center Rear |
| Overflow Location | |
| <input type="checkbox"/> Front | <input type="checkbox"/> Rear |
| Alternate Punching | |
| <input type="checkbox"/> Faucet Model: | <input type="checkbox"/> Punch Required: |
| Sink Size | |
| <input type="checkbox"/> Bowl Depth: | <input type="checkbox"/> Drainboard Width: |

Hole Drilling Configurations:

1-1/2" (38mm) Diameter Faucet Holes on 4" (102mm) Centers



PART: _____ QTY: _____

PROJECT: _____

CONTACT: _____

DATE: _____

NOTES: _____

APPROVAL: _____



AMERICAN PRIDE. A LIFETIME TRADITION.

Like your family, the Elkay family has values and traditions that endure. For almost a century, Elkay has been a family-owned and operated company, providing thousands of jobs that support our families and communities.



Product Compliance: ADA & ICC A117.1
ASME A112.19.3/CSA B45.4
BUY AMERICAN ACT



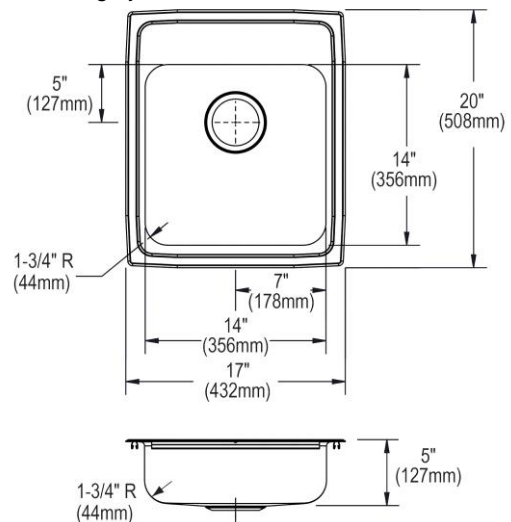
Sinks are listed by IAPMO® as meeting the applicable requirements of the Uniform Plumbing Code®, International Plumbing Code®, and National Plumbing Code of Canada.



Complies with ADA & ICC A117.1 accessibility requirements when installed according to the requirements outlined in these standards.

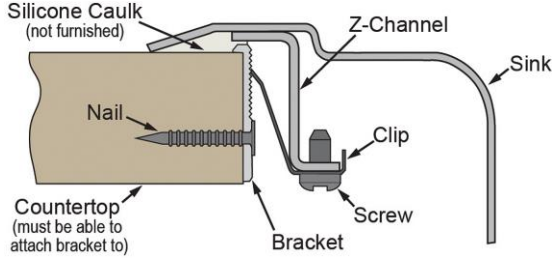
[Clean and Care Manual \(PDF\)](#)
[Installation Instructions \(PDF\)](#)
[Warranty \(PDF\)](#)

Similar models are available with: additional ADA depths, U Channel mounting system



In keeping with our policy of continuing product improvement, Elkay reserves the right to change product specifications without notice. Please visit [elkay.com](#) for the most current version of Elkay product specification sheets. This specification describes an Elkay product with design, quality, and functional benefits to the user. When making a comparison of other producers' offerings, be certain these features are not overlooked.

Installation Profile:



OPTIONAL ACCESSORIES

| | |
|------------------------|---------------------------------------|
| Cutting Board: | CB1613 |
| Drain: | LK99, LKAD35 |
| Faucet: | LKGT1041CR, LKGT1041NK, LKGT1041RB |
| Rinsing Basket: | LKWRB1414SS |
| Soap Dispenser: | LKGT1054 |

In keeping with our policy of continuing product improvement, Elkay reserves the right to change product specifications without notice. Please visit elkay.com for the most current version of Elkay product specification sheets. This specification describes an Elkay product with design, quality, and functional benefits to the user. When making a comparison of other producers' offerings, be certain these features are not overlooked.