

LUCY 6636

DESIGNER COLLECTION

H | S

TUB INCLUDES:

- Integral waste and overflow



Standard Grab Bar



Linear Integral Waste and Overflow



Chromatherapy-LED Lighting System

OPTIONS: [\(MORE INFORMATION AVAILABLE ON OUR WEBSITE\)](#)

- Chromatherapy-LED Lighting System
- Extra High Density
- Grab Bars
 - Standard or Universal
- Hydro Blanket
- Hydro Coat
- Hydro Express Quick Ship
- Island Tub Drain
- Integral Waste and Overflow
 - Linear
- Molded Armrests
- Padded Headrest Pillow
- Thermal Air System
- Remote Control for Air System

STANDARD ELECTRICAL REQUIREMENTS:

- Thermal Air System | One 15 Amp Dedicated Circuit

All electrical components come standard at 115 volts

All electrical circuits must be GFCI protected



LUCY 6636

DESIGNER COLLECTION

H | S

As SHOWN:

Tub Only

FEATURES SHOWN:

- Drain location

ALSO AVAILABLE:

- Soaking tub only
- Thermal Air

Size:

66.36.20

WATER CAPACITY:

75 Gallons

WEIGHT:

110 -130 Pounds

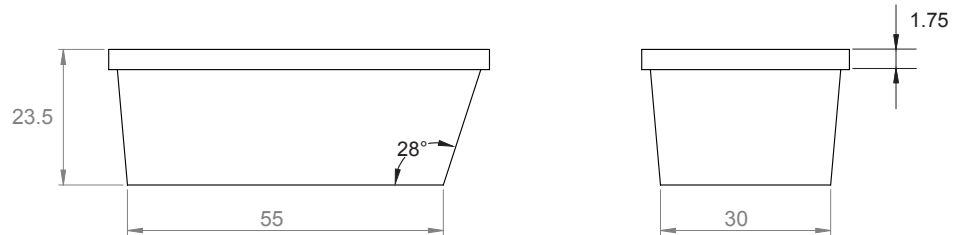
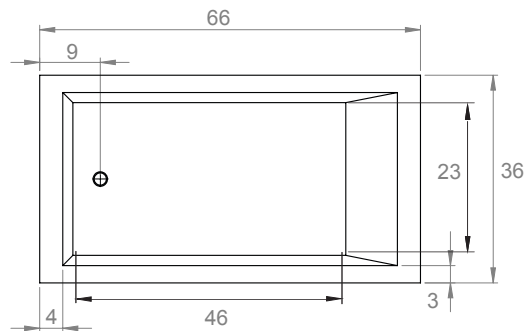
MODEL 6636 DIMENSIONS:

- (L)ength- 66"
- (W)idth- 36"
- (H)eight Finish- 23.5"



ACRYLIC TUB

- Acrylic models finished in 1/8" thick layer of deep lustrous acrylic
- Extra thick reinforced fiberglass
- Integral E-Z level platform facilitates installation
- Integral waste and overflow



CODES AND COMPLIANCES

Massachusetts code File no: P1-0614-491



HYDRO SYSTEMS
Family Owned And Operated Since 1978

29132 Avenue Paine. Valencia, CA, 91355
661.775.0686 | hydrosystem.com



Page 2 of 2 **MADE IN AMERICA**

All specifications and options subject to change without notice please contact a Hydro Systems representative for more information. Certain options or altering the pump/blower location may cause the pump/blower to extend beyond the tub decking. For cutout dimensions wait for unit to arrive. All specifications subject to change without notice.