

# LUCY 7236

DESIGNER COLLECTION

# H | S

**TUB INCLUDES:**

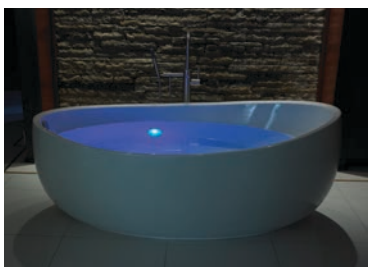
- Integral waste and overflow



Standard Grab Bar



Linear Integral Waste and Overflow



Chromotherapy-LED Lighting System

**OPTIONS:** [\(MORE INFORMATION AVAILABLE ON OUR WEBSITE\)](#)

- Chromotherapy-LED Lighting System
- Extra High Density
- Grab Bars
  - Standard or Universal
- Hydro Blanket
- Hydro Coat
- Hydro Express Quick Ship
- Island Tub Drain
- Integral Waste and Overflow
  - Linear
- Molded Armrests
- Padded Headrest Pillow
- Thermal Air System
- Remote Control for Air System

**STANDARD ELECTRICAL REQUIREMENTS:**

- Thermal Air System | One 15 Amp Dedicated Circuit

*\*All electrical components come standard at 115 volts\**

*\*All electrical circuits must be GFCI protected\**



# LUCY 7236

DESIGNER COLLECTION

# H|S

**As SHOWN:**

Tub Only

**FEATURES SHOWN:**

- Drain location

**ALSO AVAILABLE:**

- Soaking tub only
- Thermal Air

**Size:**

66.36.20

**WATER CAPACITY:**

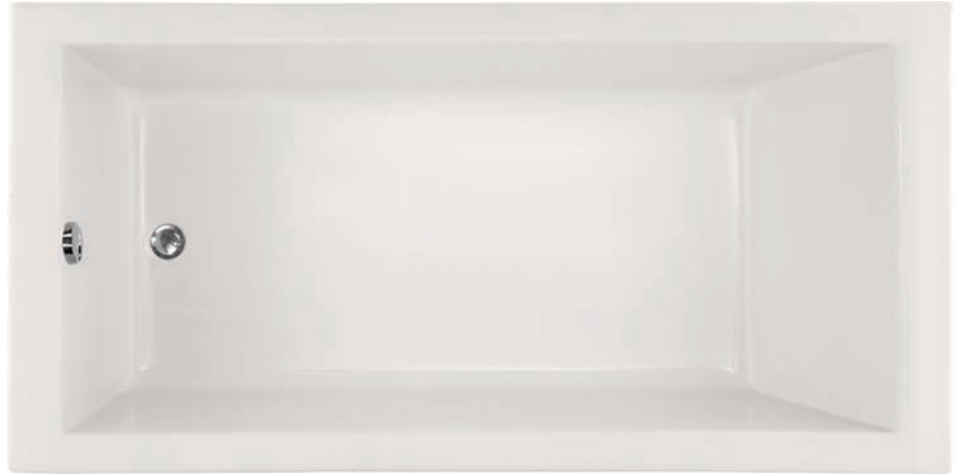
90 Gallons

**WEIGHT:**

110 -130 Pounds

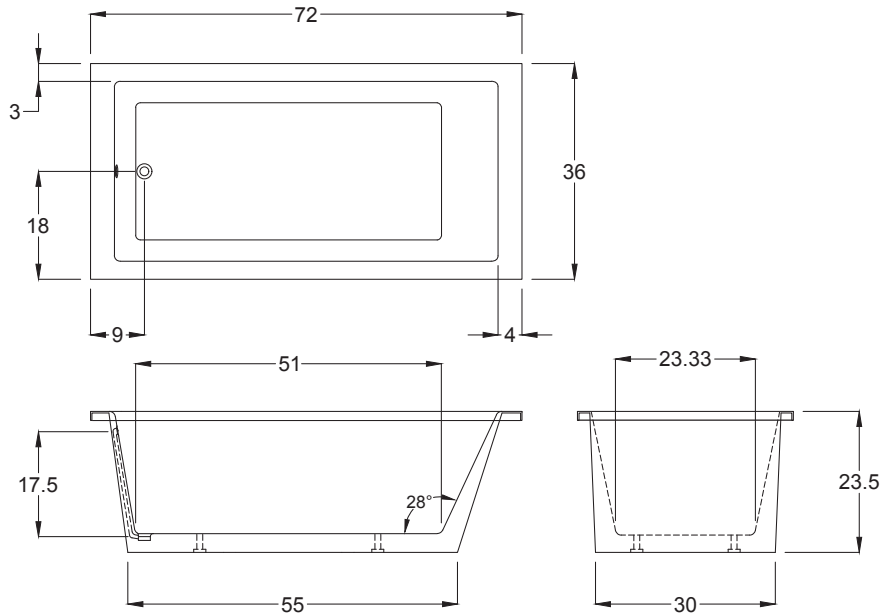
**MODEL 7236 DIMENSIONS:**

- (L)ength- 72"
- (W)idth- 36"
- (H)eight Finish- 23.5"



**ACRYLIC TUB**

- Acrylic models finished in 1/8" thick layer of deep lustrous acrylic
- Extra thick reinforced fiberglass
- Adjustable leveling legs
- Integral waste and overflow



**CODES AND COMPLIANCES**

Massachusetts code File no: P1-0614-491



**HYDRO SYSTEMS**  
Family Owned And Operated Since 1978

29132 Avenue Paine, Valencia, CA, 91355  
661.775.0686 | hydrosystem.com



Page 2 of 2 **MADE IN AMERICA**

All specifications and options subject to change without notice please contact a Hydro Systems representative for more information. Certain options or altering the pump/blower location may cause the pump/blower to extend beyond the tub decking. For cutout dimensions wait for unit to arrive. All specifications subject to change without notice.