

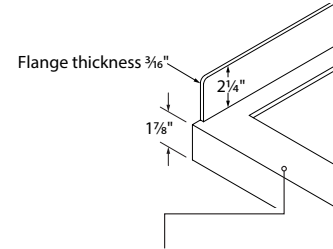
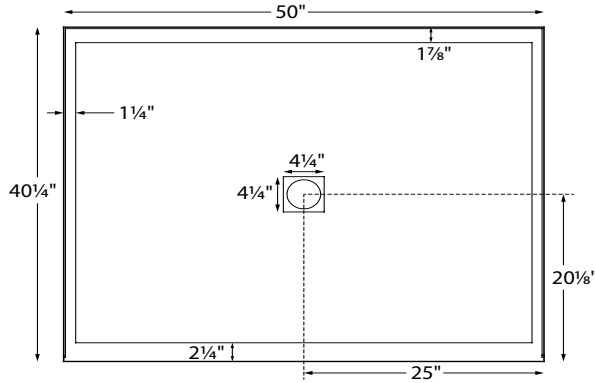
# Designer Collection Shower Bases

## MTSB-5040BF

50" x 40.25" x 1.875"

### GENERAL SPECIFICATIONS

Material - Acrylic CXL™  
 Shipping Weight - 115 lbs / 52 kg  
 Threshold - Multiple, Low-Profile  
 Drain Location - Center  
 Floor - Textured



Designed to be recessed into floor, to create a flat transfer surface.

Model #	Size	Shape	MSRP
SB5040BF	50" x 40.25" x 1.875"	Rectangle	\$1,760

### Options *Must be ordered at time of purchase*

**Color** Please specify color on order  
 White (CWH)  
 Biscuit (CBS)

**Quick Ship (QSPRI) \$430**  
 Reduces lead time. Please call for availability.

**Radiance® (RAD100) \$1,595** Shower floor heating system.  
 Radiance heating grids are fully integrated within the acrylic shell structure of the shower floor. Requires a 110-volt, 15 amp GFCI and remote installation of control box & keypad.

**Pre-Levelled Foam Base (PLFSB) \$220**

**PVC Drain Kit Finishes** Chrome included with shower base  
 Brushed Nickel upcharge (SBSQDBN) **\$125**  
 Special Finishes upcharge\* (SBSQDSF) **\$750**  
 \*Must send finish sample and allow 3-4 weeks additional lead time.

**Optional Removable Front Threshold (SBT50) \$210**  
 Measures 2 1/4" tall

### Accessories

**Drain Kit Options**  
 Solid Brass Drain Kit with Stainless Steel Cover (SBSQDSB) **\$195**

**Teak Shower Seat**  
 Premium  
 Natural Stainless (TK-SSEAT2416BNS) **\$3,035**  
 High-Polished Stainless (TK-SSEAT2416BHP) **\$3,465**  
 Premium ADA  
 Natural Stainless (TK-SSEAT2416BNSA) **\$3,630**  
 High-Polished Stainless (TK-SSEAT2416BHPA) **\$4,155**  
 Standard  
 Natural Stainless (TK-SSEAT2215NS) **\$1,125**  
 High-Polished Stainless (TK-SSEAT2215HP) **\$1,575**

### IMPORTANT ORDERING & INSTALLATION INFORMATION

- Zero-barrier single front threshold design for ease of transition between bathroom and shower area. Must be recessed into floor to create a flat transfer surface.
- 3-sided integral tile flange to facilitate installation.
- 3.5" drain opening pre-drilled.
- Drain finish options on this sheet are upcharge prices only. Contact MTI for ordering details for drain kits sold separately.
- Compliant with ASTM C 1028-07 coefficient of friction test.
- Add proper wet-bedding compound to fully support bottom of shower base. Optional factory installed Pre-Levelled Foam Base negates the need to wet bed when installing on a flat, level subfloor. See installation instructions.



Optional threshold installed.

- Options and accessories may be packaged inside the box. Always check packaging before discarding.
- All product measurements are ±1/2".
- Specifications and configurations are subject to change without notice.
- Measurements herein supersede all others published prior to publication date below.

See the Installation & Operation Manual for more details.  
 MTI's Customer Service: Monday-Friday 8am-6pm EST  
**800-783-8827** or [service@mtibaths.com](mailto:service@mtibaths.com)

CSA # MTSB-5040BF

©2022 by MTI Baths, Inc. Modification Rights Reserved



Rev. 01 19 2022