

Designer Collection Shower Bases

MTSB-6032Seated

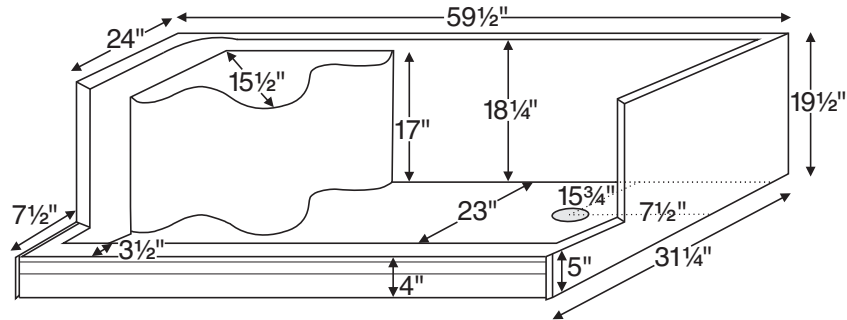
59.5" x 31.25" x 19.5"

GENERAL SPECIFICATIONS

Material - Acrylic CXL™
 Shipping Weight - 100 lbs / 45 kg
 Threshold - Low-Profile, Seated
 Drain Location - End
 Floor - Textured



Shown above with right-hand drain.



When ordering, please specify left- or right-hand drain.

Model #	Size	Shape	MSRP
SB6032Seated	59.5" x 31.25" x 19.5"	Rectangle	\$2,140

Options *Must be ordered at time of purchase*

Color Please specify color on order

White (CWH)
 Biscuit (CBS)

Quick Ship (QSPRI) \$430

Reduces lead time. Please call for availability.

Radiance® (RAD100) \$1,595 Shower floor heating system. Radiance heating grids are fully integrated within the acrylic shell structure of the shower floor. Requires a 110-volt, 15 amp GFCI and remote installation of control box & keypad.

Pre-Levelled Foam Base (PLFSB) \$220

PVC Drain Kit Finishes Chrome included with shower base

Brushed Nickel upcharge (SBDKBN) **\$65**
 Special Finishes upcharge* (SBDKSF) **\$515**

*Must send finish sample and allow 3-4 weeks additional lead time.

Accessories

Drain Kit Options

Solid Brass Drain Kit with Stainless Steel Cover (SBDKSB) **\$195**

Teak Bath Mat (TKMAT3018) \$815 Measures 30" x 17.5" x 1"

Custom sizes also available. Contact MTI for details.

Teak Shower Tray (TK6032SEATED)

Contact MTI for pricing

IMPORTANT ORDERING & INSTALLATION INFORMATION

- Single, front threshold design with integrated seat.
- 3-sided integral tile flange to facilitate installation. Must specify drain hand on order.
- 3.5" drain opening pre-drilled.
- Drain finish options on this sheet are upcharge prices only. Contact MTI for ordering details for drain kits sold separately.
- Compliant with ASTM C 1028-07 coefficient of friction test.
- Add proper wet-bedding compound to fully support bottom of shower base. Optional factory installed Pre-Levelled Foam Base negates the need to wet bed when installing on a flat, level subfloor. See installation instructions.

- Options and accessories may be packaged inside the box. Always check packaging before discarding.
- All product measurements are $\pm 1/2"$.
- Specifications and configurations are subject to change without notice.
- Measurements herein supersede all others published prior to publication date below.

See the Installation & Operation Manual for more details.

MTI's Customer Service: Monday-Friday 8am-6pm EST

800-783-8827 or service@mtibaths.com

CSA # MTSB-6032SEATED

©2022 by MTI Baths, Inc. Modification Rights Reserved



Rev. 01 19 2022