

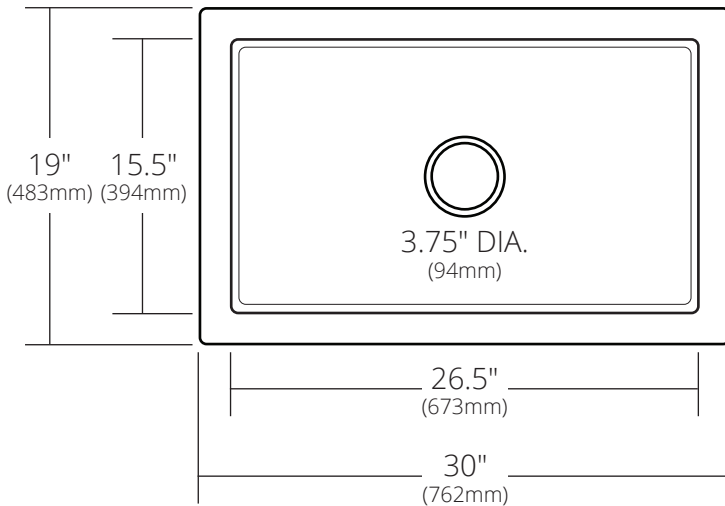
## SPECIFICATIONS

# PACIFICA 3019

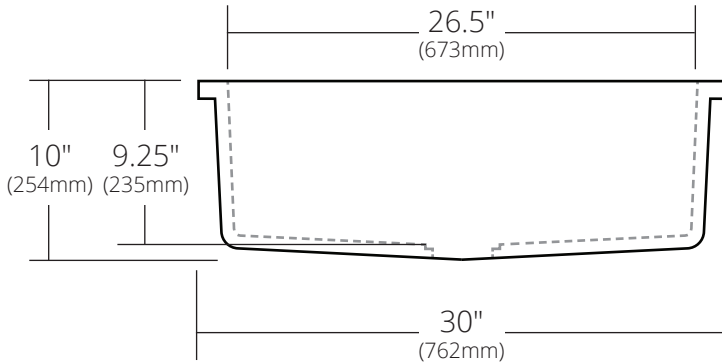
NativeStone® Collection



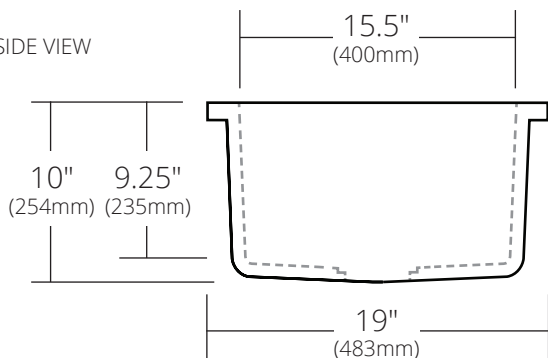
TOP VIEW



FRONT VIEW



SIDE VIEW



NSK3019-A Ash  
 NSK3019-C Charcoal  
 NSK3019-D Sand  
 NSK3019-E Earth  
 NSK3019-P Pearl  
 NSK3019-S Slate

### PRODUCT DETAILS

- 30" x 19" x 10" OD (762mm x 483mm x 254mm)
- 26.5" x 15.5" x 9.25" ID (673mm x 394mm x 235mm)
- 3.75" (94mm) drain opening
- Handcrafted from sustainable NativeStone
- Sealed with NativeStone Shield™
- Weight: approx. 72lbs

### INSTALLATION

- Undermount

### COORDINATING PRODUCTS

- Drains: DR320 or DR340
- Bottom Grid: GRD2614
- UK2547 Undermount Kit

### STANDARDS COMPLIANCE

- UPC/cUPC compliant

### IMPORTANT

Do NOT use tape or other adhesives on NativeStone as it may remove the sealer.

Due to the handcrafted nature of this product, it will vary in finish, texture, and other details. Dimensions may vary up to ¼" (6mm). We strongly recommend waiting for the actual product before making any installation cuts.