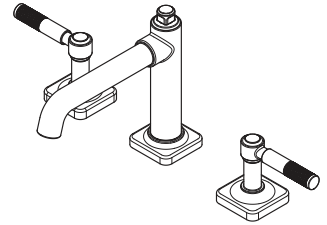


- LG49-HLSC Finish(C)
- LG49-HLSD Finish(D)
- LG49-HLSB Finish(B)
- LG49-HLSBG Finish(BG)



Specifications

Features

- 1.2 GPM Flow Rate
 - 3-Hole Installation
 - All Metal Construction
 - Concealed Screws
 - Includes All Metal Push & Seal™
 - Quick Connect Hose Assembly
 - Supply Lines Not Included
- Pfast Connect™
 - Ultra Seal™ Ceramic Disc Valves
 - Limited Lifetime Warranty

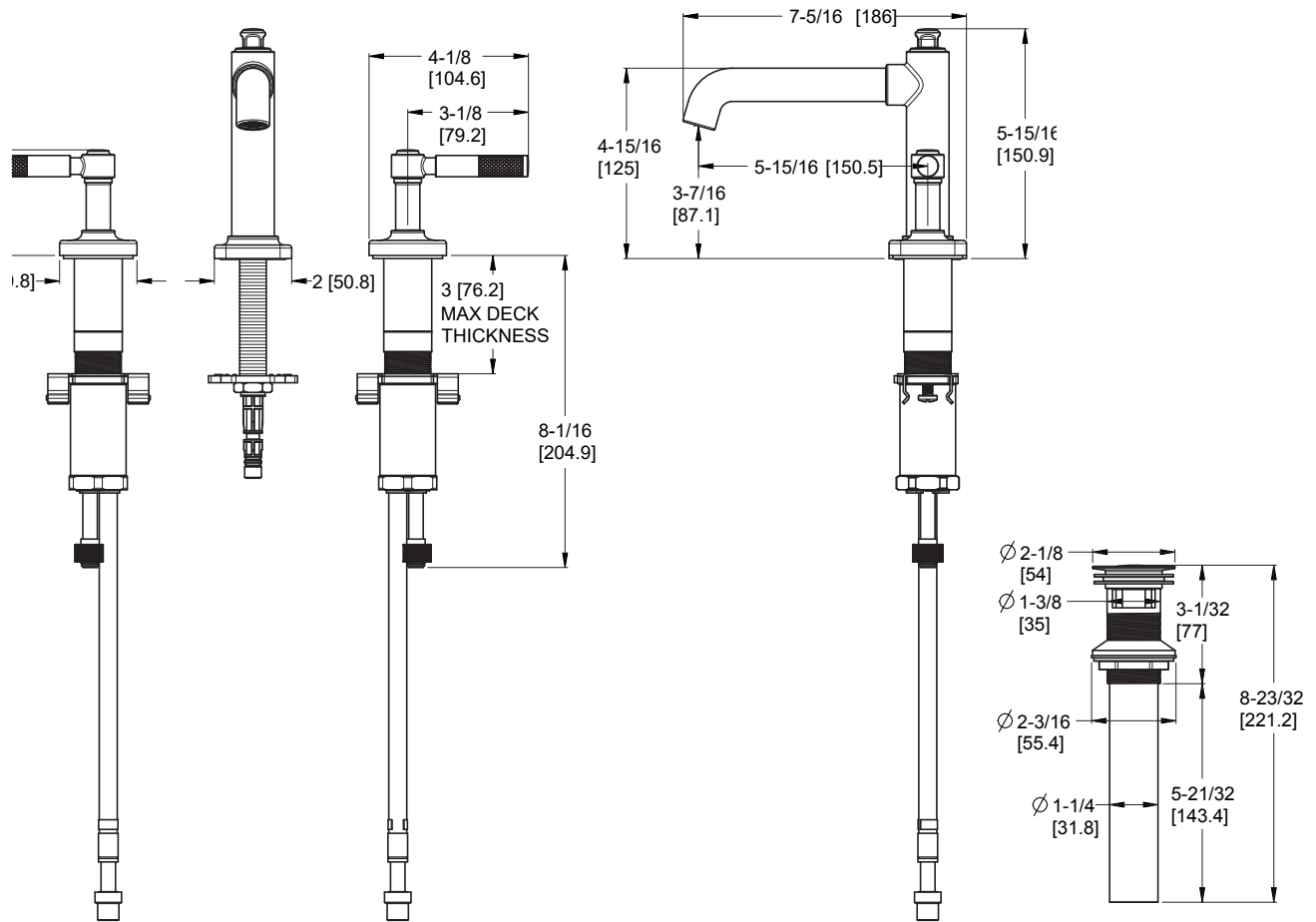
Code Compliance

Pfister products are designed and manufactured in compliance with the following standards and codes:

- IAPMO Certified to ASME A112.18.1/CSA B125.1
- NSF/ANSI/CAN61:Q≤1
- CEC Certified/CALGreen compliant
- EPA WaterSense Certified
- ADA Compliant - ANSI A117.1 (Lever Handles Only)



Dimensions



Ø1-1/4 Min to Ø1-1/2 Max. Deck Hole Openings

Push & Seal™