

# SA-3232 32" x 32" x 72" Veritek Shower Alcove Wall

**Model number:**

SA03232

**Dimensions:** 32" x 32" x 72"

**Installation:** Direct to Stud

**Material:** Veritek



## Standard Features:

- Nails directly to studs for fast installation.
- Sturdy interlocking system for one-piece appearance.
- Panels easily fit through existing doorways and can be installed by one person.
- Made of Veritek™ with no surface coating to chip or crack - color runs throughout.
- The SA Series is a 3-piece compression molded composite material with molded-in color and a natural gloss surface.

## Product characteristics:

- Built-in shelves
- Direct to Stud Installation
- Bestseller

## Warranty:

Lifetime limited

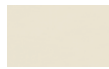
## Standard colors:



White (010)



Bisque (018)



Bone (037)

## Certifications

Swan products adhere to one or more of the following certifications:



# SA-3232 32" x 32" x 72" Veritek Shower Alcove Wall

**Model number:** SA03232

**Dimensions:** 32" x 32" x 72"    **Installation:** Direct to Stud

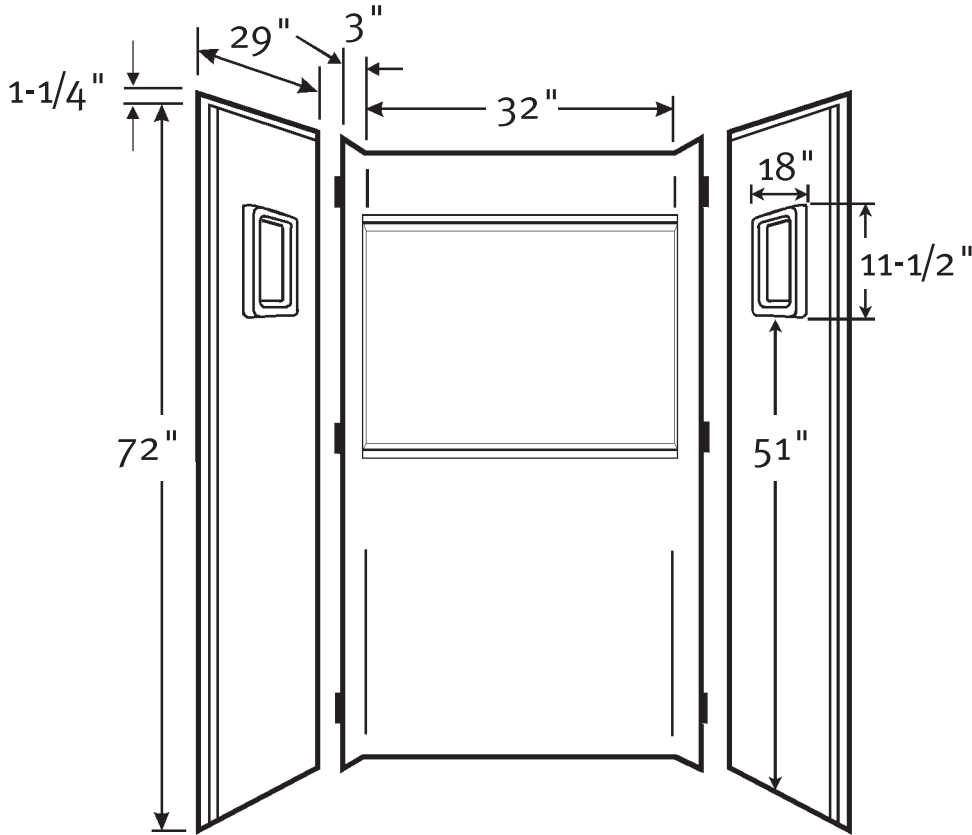
**Material:** Veritek

**Dimensions:**

32 x 32 x 72 in.

**Weight:**

66 lbs



Project:

Contractor:

Representative:

Date:

Tel:

Notes: