

HOURGLASS 6042

H | S

STUDIO COLLECTION

PVC SYSTEMS INCLUDE:

- 6 DIRECTIONAL PVC JETS
- ANTI-VORTEX SAFETY SUCTION
- COLOR MATCHED SYSTEM TRIM
- RIGID PVC PIPING
- SELF DRAINING PUMP AND SYSTEM
- AIR SWITCH CONTROL
- 1.25 HP SINGLE SPEED PUMP



OPTIONS: [\(MORE INFORMATION AVAILABLE ON OUR WEBSITE\)](#)

- Custom Jet and Pump Location
- Hydro Coat
- Hydro Express Quick Ship
- HydrOzone System
- In-line Heater
- Jet Plating
- Skirt
- Tile Flanges
- Cable Waste & Overflow
- Integral Waste & Overflow

STANDARD ELECTRICAL REQUIREMENTS:

- Whirlpool System | One 20 Amp Dedicated Circuit
- Thermal Air System | One 15 Amp Dedicated Circuit
- In-line Heater (600 Watts) | Shares 20 Amp Circuit
- In-line Heater (1500 Watts) | One 15 Amp Dedicated Circuit

All electrical components come standard at 115 volts

All electrical circuits must be GFCI protected

CODES AND COMPLIANCES

Massachusetts code File no: P1-0614-491



HYDRO SYSTEMS
Family Owned And Operated Since 1978

29132 Avenue Paine, Valencia, CA, 91355
661.775.0686 | hydrosystem.com



* Indicates options that are shown (listed in order from top to bottom/ left to right)

HOURGLASS 6042

H | S

STUDIO COLLECTION

As SHOWN:

Whirlpool option

FEATURES SHOWN:

- Overflow location
- Standard jet location

ALSO AVAILABLE:

- Soaking tub only
- Thermal Air

SIZE:

60.42.20

BACKSLOPE:

24 degrees



WATER CAPACITY:

60 Gallons

WEIGHT:

80-120 Pounds depending on system

ACRYLIC TUB

- *Tub must be set in mortar base*
- Acrylic models finished in 1/8" thick layer of deep lustrous acrylic
- Pre-wired pump on pump platform (standard pump location only)
- Integral E-Z level platform facilitates installation

DROP-IN INSTALLATION DIMENSIONS:

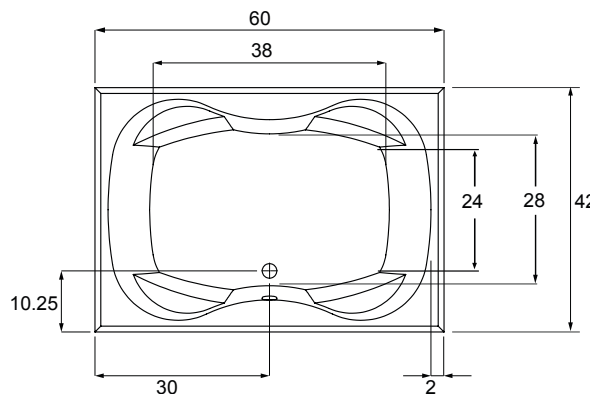
- (L)ength- 58"
- (W)idth- 40"
- Finish (H)eight- 19-1/4"

3-WALL INSTALLATION DIMENSIONS:

- (L)ength- 60"
- (W)idth- 42"
- Top of Ledger- 20-3/4"

INSTALLATION TIPS:

- When adding integral drain p-trap location is now below waste



Optional Equipment Dimensions

- Whirlpool Pump: 12"(H) x 16"(L)
- Thermal Air Blower: 5"(H) x 11"(L)

