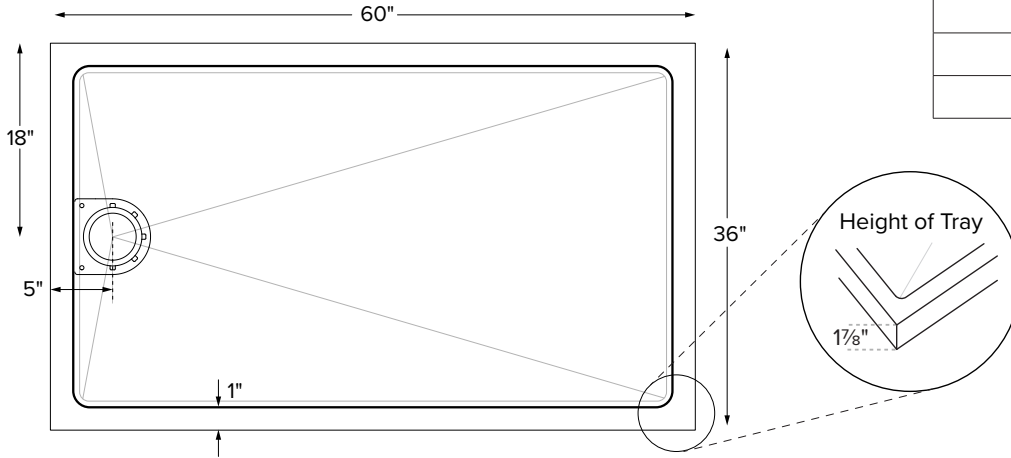


# Cosmopolitan Collection Shower Bases

## Lado



60" x 36" x 1.875"
MULTI, LOW-PROFILE THRESHOLD textured floor
End Drain
<b>Mineral Composite</b>
200 lbs / 91 kg



When ordering, must specify tile flange locations.

Factory-installed tile flange is 1/16" thick. Account for this thickness for each side with flange when planning final opening size.

Model #	Texture	Description	Color / Finish	MSRP
SBA6036	Lastra	Matching Lastra hidden drain cover	White Matte	
SBA6036V			Optional Color	

### Options Must be ordered at time of purchase

#### Finish/Color (no charge)

- Matte White (MWH)
- Matte Gray (MGY)
- Matte Black (MBK)

### Accessories

#### Teak Shower Seat

- Premium
  - Natural Stainless (TK-SSEAT2416BNS)
  - High-Polished Stainless (TK-SSEAT2416BHP)
- Standard
  - Natural Stainless (TK-SSEAT2215NS)
  - High-Polished Stainless (TK-SSEAT2215HP)

**Teak Bath Mat (TKMAT3018)** Measures 30" x 17.5" x 1"  
Custom sizes also available. Contact MTI for details.

#### Recommended Drain Kits

- Oatey 42099
- Westbrass D206P

## ORDERING AND INSTALLATION

- Factory-installed tile flange on 1, 2 or 3 sides to facilitate installation. Must specify tile flange location(s) on order.
- Include tile flange thickness when planning framed shower base opening.
- 3.5" drain opening pre-drilled.
- Drain cover included. Check packaging carefully.
- Designed to install on a flat, level subfloor. See installation instructions.
- All bases are in accordance with CSA B45.5/APMO Z124 standard and compliant with ASTM C 1028-07 coefficient of friction.



Factory-installed tile flange is 1/16" thick. Account for this thickness for each side with flange when planning final opening size.

Shown above on Lado shower base

- Options and accessories may be packaged inside the box. Always check packaging before discarding.
- All product measurements are ±1/2".
- Specifications and configurations are subject to change without notice.
- Measurements herein supersede all others published prior to publication date below.

See the Installation & Operation Manual for more details.

MTI's Customer Service: Monday-Friday 8am-6pm EST

800-783-8827 or service@mtibaths.com

CSA # MCSB-A6036

©2023 by MTI Baths, Inc. Modification Rights Reserved



Rev. 03 24 2023