

65830LF▲



Submitted Model No.: _____

Specific Features: _____

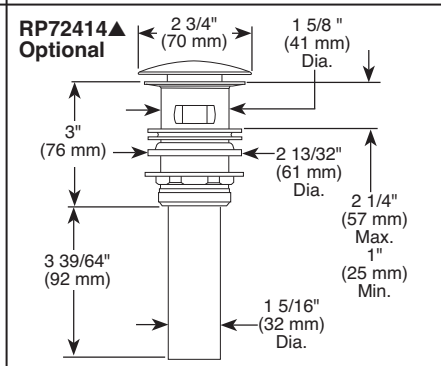
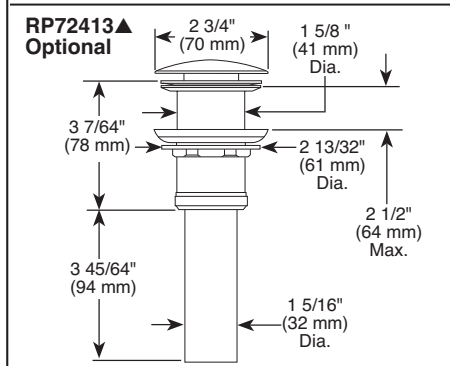
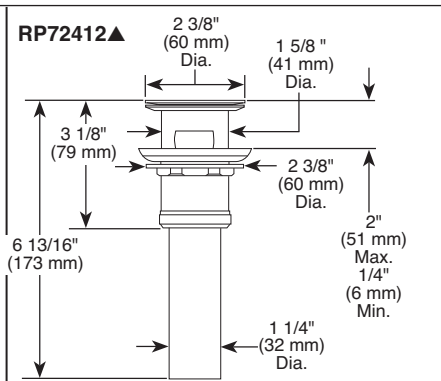
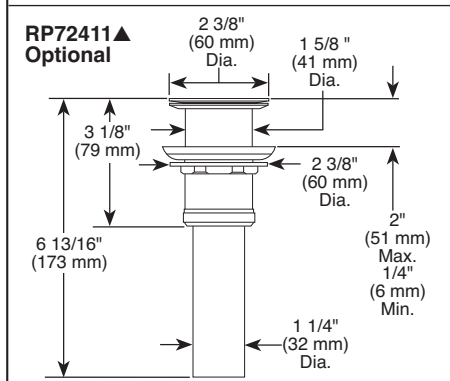
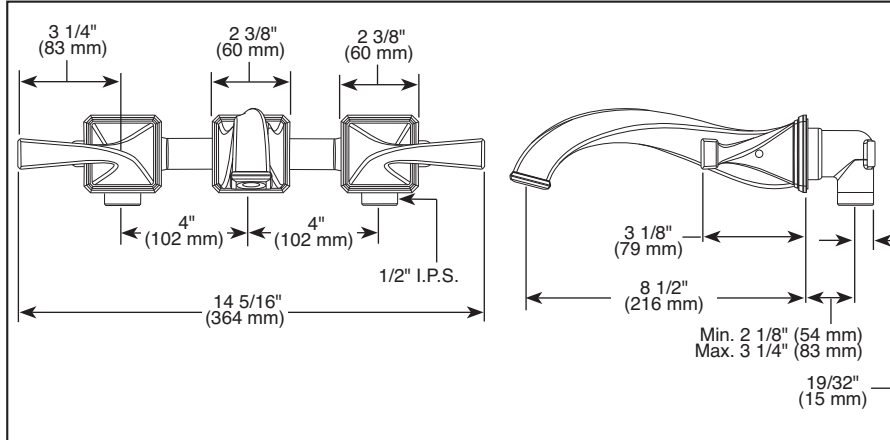
BRIZO®

LAVATORY FAUCETS

- Virage® Bath Collection
- Two Handle Wall-Mounted Lavatory
- Three Hole Applications
- 8 1/2" Solid Metal Spout

STANDARD SPECIFICATIONS:

- Two handle lavatory faucet for concealed mounting in 3 hole wall applications.
- 8 1/2" solid metal spout.
- Control mechanism shall be of the rotating ceramic cylinder type with 90° (1/4 turn) rotation.
- 8" centers, 4" distance between holes.
- Recommend 1 1/2" hole size.
- Adjustable roughing in dimensions: 2 1/8" to 3 1/4".
- 1/2" I.P.S. inlets.
- Metal grid strainer with overflow (RP72412) included.
- Optional grid strainer without overflow (RP72411), push button pop-up with overflow (RP72414) or push button pop-up without overflow (RP72413).
- Maximum 1.50 gpm @ 60 psi, 5.7 L/min @ 414 kPa



WARRANTY

- Lifetime limited warranty on parts (other than electronic parts and batteries) and finishes: or, for commercial users, for 5 years from date of purchase.
- 5 year limited warranty on electronic parts (other than batteries); or, for commercial users, for 1 year from the date of purchase. No warranty is provided on batteries.



COMPLIES WITH:

- ASME A112.18.1 / CSA B125.1
- ASME A112.18.1 / CSA B125.1
- Indicates compliance to ICC/ANSI A117.1
- Verified compliant with .25% weighted average Pb content regulations.
- EPA WaterSense®

▲ Designate Proper Finish Suffix

Brizo Kitchen & Bath Company reserves the right (1) to make changes in specifications and materials, and (2) to change or discontinue models, both without notice or obligation. Dimensions are for reference only. See current full-line price book or www.brizo.com for finish options and product availability.

BSP-L-65830LF Rev. D

Brizo Kitchen & Bath Company
Indianapolis, Indiana 46280
A Division of Masco Corporation of Indiana
© 2015 Brizo Kitchen & Bath Company