

Nolyn 60" x 30" Bathing Pool Above Floor Rough With Apron

220AS5731R BATHING POOL
Right Drain

220AS5732L BATHING POOL
Left Drain

Product Features:

- Above floor rough installation
- High-gloss acrylic with fiberglass reinforcement
- Integral apron with clean, minimalist design
- Integral three-sided, 1" tiling/water retention flange helps prevent water seepage
- For recess installation
- Pre-leveled tub bottom for easier installation
- Integral lumbar support provides extra comfort
- Spaciously designed to provide maximum bathing space with a wide and deep bathing well
- A textured floor helps to improve safety
- Limited Lifetime warranty

Nominal Dimensions:

60" x 30" x 18"
(1524 x 762 x 457mm)

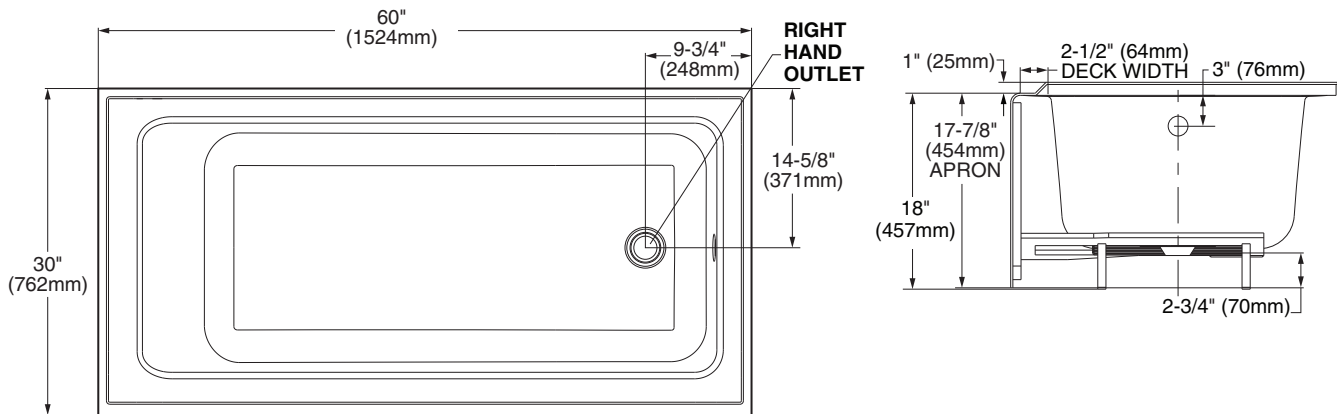
Compliance Certifications - Meets or Exceeds the Following Specifications:

- CSA B45.5/ IAPMO Z124
- cUPC

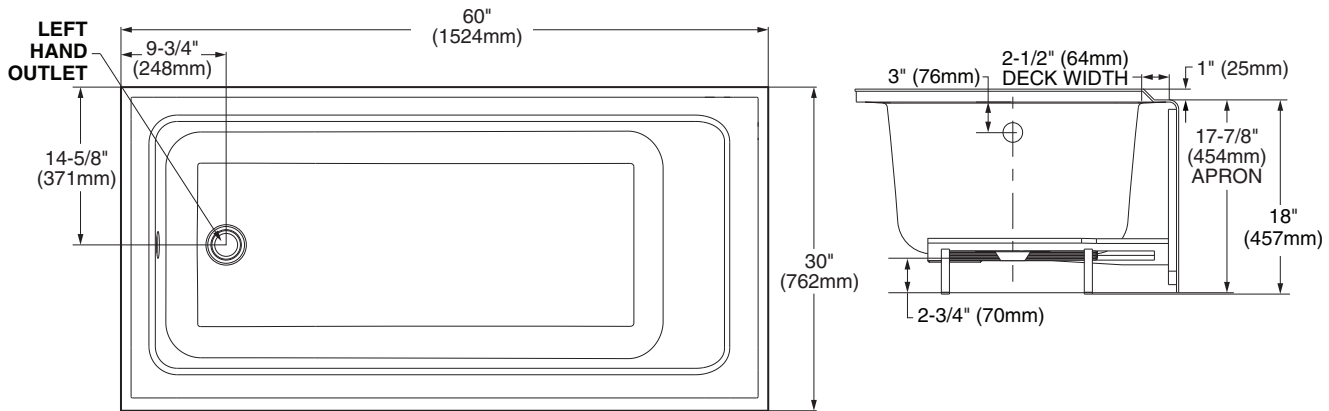


SEE REVERSE FOR ROUGHING-IN DIMENSIONS
AND PRODUCT SPECIFICATIONS

220AS5731R Right Drain



220AS5732L Left Drain



GENERAL SPECIFICATIONS FOR 220AS573 TUB

INSTALLED SIZE	60 x 30 x 18 In. (1524 x 762 x 457mm)
WEIGHT	56 Lbs. (25 Kg)
WEIGHT w/WATER	332 Lbs. (151 Kg)
GAL. TO OVERFLOW	40 Gal. (150 L)
BATHING WELL AT SUMP	20-1/2 x 44.5 In. (521 x 1130mm)
BATHING WELL AT RIM	23 x 53 In. (584 x 1346mm)
WATER DEPTH TO OVERFLOW	10-13/16 In. (274mm)
FLOOR LOADING (PROJECTED AREA)	26 Lbs./Sq.Ft. (129 Kgs/Sq.m)
PTS.	14.1
CUBE (FT ³)	26.39

NOTES:

- BATH TO BE INSTALLED ABOVE FLOOR LINE AS A RECESS INSTALLATION.
- REFER TO INSTALLATION INSTRUCTIONS SUPPLIED WITH TUB FOR ADDITIONAL INFORMATION.
- FITTINGS NOT INCLUDED AND MUST BE ORDERED SEPARATELY.
- PROVIDE SUITABLE REINFORCEMENT FOR ALL SUPPORTS.
- MOUNTING HOLES DRILLED BY INSTALLER.

IMPORTANT: Dimensions of fixtures are nominal and may vary within the range of tolerances established by ANSI Standard CSA B45.5-11/IAPMO Z124. These measurements are subject to change or cancellation. No responsibility is assumed for use of superseded or voided pages.