

ELKAY[®]

SPECIFICATIONS

Crosstown™

Undermount Double Bowl Apron Sink

Model ECTRUF32179R

GENERAL

Highest quality sink fabricated of #18 (1.2mm) gauge, type 304 (18-8) nickel bearing stainless steel. Undermount.

DESIGN FEATURES

Bowl Depth: 9" (229mm).

Apron Height: 6-5/8" (168mm).

Coved Corners: Approximately 5/8" (15mm).

Finish: Exposed surfaces have a Polished Satin Finish.

Underside: Fully protected by heavy duty Sound Guard[®] undercoating designed to reduce condensation and dampen sound.

OTHER

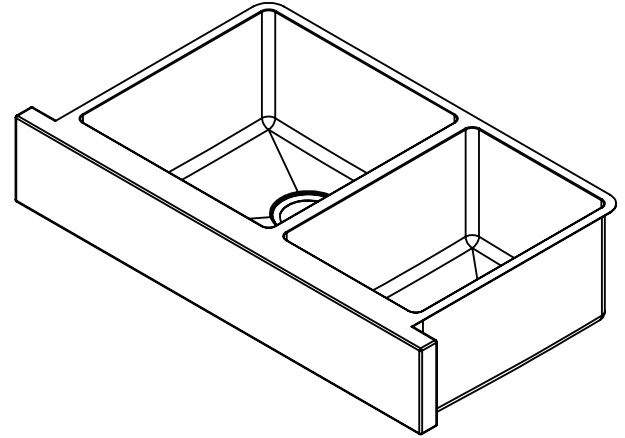
Drain Opening: 3-1/2" (89mm).

NOTE: All Elkay undermount sinks are designed to attach to the underside of any solid surface countertop.

Sink complies with ASME A112.19.3/ CSA B45.4



Sinks are listed by IAPMO[®] as meeting the applicable requirements of the Uniform Plumbing Code[®], International Plumbing Code[®], and National Plumbing Code of Canada.



Model ECTRUF32179R

OPTIONAL ACCESSORIES

Bottom Grid: GFOBG1217SS (small bowl), GFOBG1717SS (large bowl)

Mounting Clips: LKUCLIP8

Rinsing Basket: LKFRB1616SS (large bowl), LKFRB1116SS (small bowl), LKFRB715SS (small bowl).

Utensil Caddy for Rinsing Basket: LKWUCSS

Drain: LK35, LK99

Packages

SINK PACKAGE:

ECTRU32179RDBG includes: (1) Sink - ECTRU32179R, (1) BOTTOM GRID - GFOBG1217SS, (1) BOTTOM GRID - GFOBG1717SS and (2) Drain - LK35.

BOTTOM GRID FEATURES:

300 Series Stainless Steel

Bright Finish

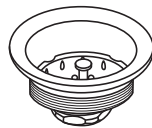
Dishwasher Safe

DRAIN FEATURES:

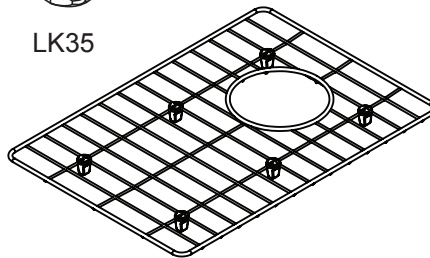
Stainless Steel Body and Strainer.

Polished Finish.

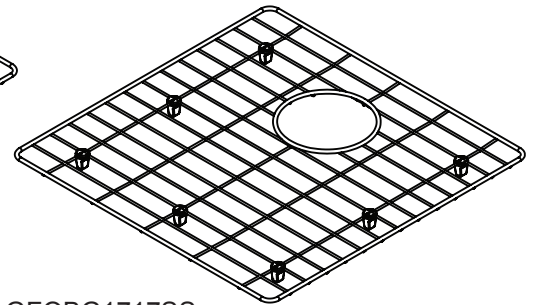
Fits 3-1/2" (89mm) opening.



LK35



GFOBG1217SS



GFOBG1717SS

SEE OTHER SIDE FOR PRODUCT DIMENSIONS.

In keeping with our policy of continuing product improvement, Elkay reserves the right to change product specifications without notice. Please visit elkay.com for the most current version of Elkay product specification sheets.

This specification describes an Elkay product with design, quality, and functional benefits to the user. When making a comparison of other producers' offerings, be certain these features are not overlooked.

