

# ELKAY® SPECIFICATIONS

## Remote Chiller 8 GPH Air Cooled Model ECH8

RATED FOR INDOOR USE ONLY



### PRODUCT SPECIFICATION

Remote type, electric refrigerated water chiller unit. Chilling capacity of 8 gallons per hour of 50°F drinking water, based on 80°F inlet water and 90°F ambient. Installs directly under fountain or other application, or may be located in a service area to serve a remote outlet (within 15 feet recommended). Unit shall be lead-free design which is certified to NSF/ANSI 61 and 372 and meets Federal and State low-lead requirements. Unit shall be certified to UL399 and CAN/CSA 22.2 No. 120.

### STANDARD FEATURES

- Easily converts any Drinking Fountain into a Water Cooler
- Provides chilled drinking water
- Designed to service up to two stations
- Installs within or behind building walls, out of the way

### CONSTRUCTION

- Cabinet: Rust-resistant galvanized steel



### COOLING SYSTEM

- Compressor: Hermetically-sealed, reciprocating type, single phase. Sealed-in lifetime lubrication.
- Condenser: Fan cooled. Fan motor is permanently lubricated.
- Cooling Unit: Combination tube-tank type. Continuous copper tubing which is fully insulated with EPS foam that meets UL requirements for self-extinguishing material.
- Refrigerant Control: Refrigerant R134a is controlled by accurately calibrated capillary tube.
- Temperature Control: Easily accessible enclosed adjustable thermostat is factory preset. Requires no adjustment other than for altitude requirements.



**Warranty:** 5 year limited warranty on the unit's refrigeration system. Electrical components and water system are warranted for 12 months from date of installation or 18 months from factory shipment, whichever date falls first.

### CAPACITIES CHART

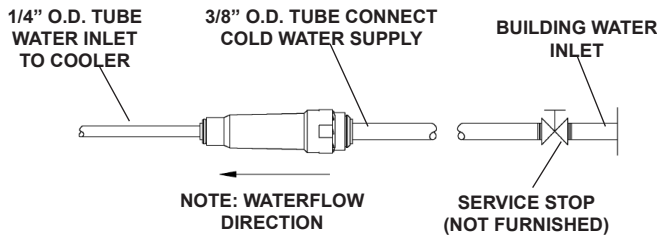
CAPACITIES CHART							
Model	Voltage / Hertz	Chilling** Capacity	F.L. Amps	Rated Watts	Approx. Ship Wt.	UL399 and CAN/CSA 22.2 No. 120 Certified	NSF/ANSI 61 and 372 Certified
ECH8	115V / 60Hz	8.0 GPH	5.0	370	43 lbs.	•	•
ECH82	220V / 50Hz	6.7 GPH	2.0	370	43 lbs.	++	•
ECH83	220V / 60Hz	8.0.GPH	2.2	370	43 lbs.	++	•

\*\*Based on 80°F inlet water & 90°F ambient air temp for 50°F chilled drinking water.  
++Complies; not third party certified.

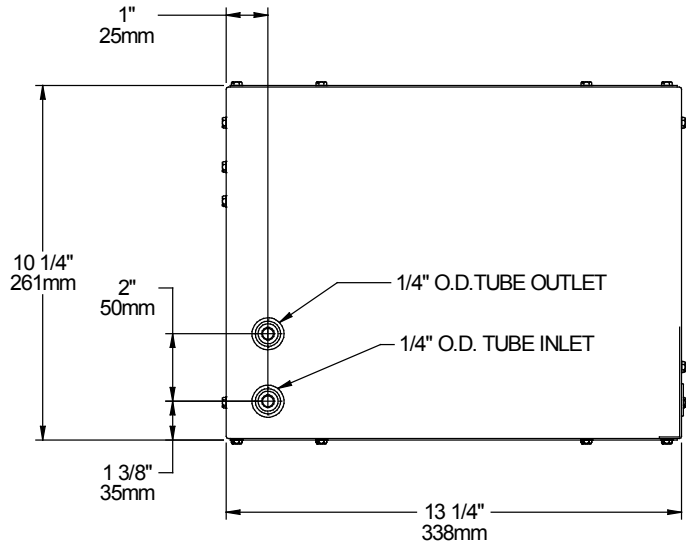
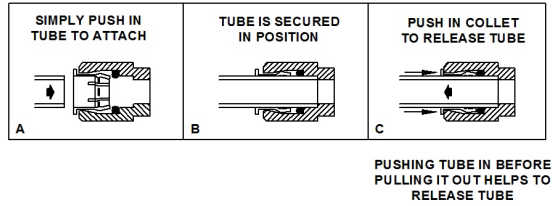
**Remote Chiller 8 GPH**  
**Air Cooled**  
**Model ECH8**

**ELKAY®**  
**ROUGH-IN DIMENSIONS**

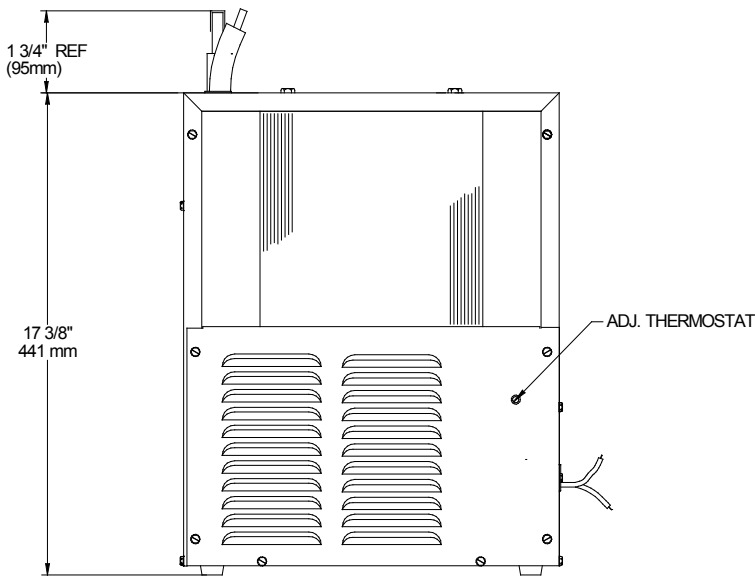
RATED FOR INDOOR USE ONLY



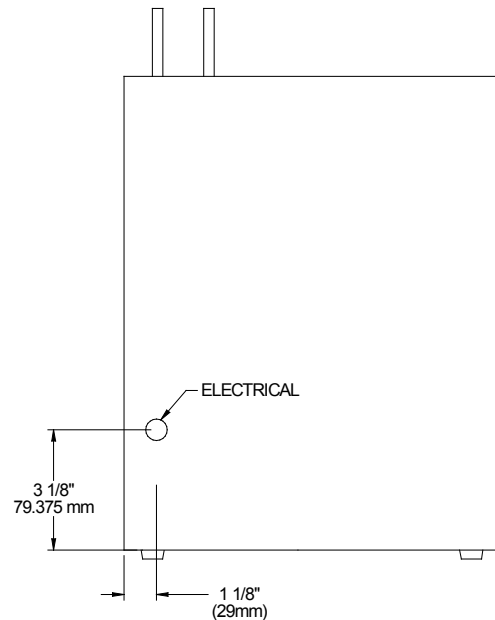
**OPERATION OF QUICK CONNECT FITTINGS**



**TOP VIEW**



**FRONT VIEW**



**SIDE VIEW**

**NOTE:** When mounting unit in an open area, to ensure proper ventilation, maintain a 4" (102mm) clearance from cabinet louvers on each side of cooler. When mounting unit in a cavity or behind a wall, maintain minimum space of 4" (102mm) on each side, 4" (102mm) on the top and a depth of 12" (305mm).

Job Name: \_\_\_\_\_

Model: \_\_\_\_\_ Qty. \_\_\_\_\_

Contact: \_\_\_\_\_

Approval Signature: \_\_\_\_\_

Notes: \_\_\_\_\_