

Features

- Solid metal construction
- Straight rod design
- Concealed, twin stainless steel mounting brackets
- O-ring stabilizers hold rod securely to brackets
- Complements London Terrace product series

Codes / Standards Compliance

Meets or exceeds the following at date of manufacture:

- All applicable US Federal and State material regulations

Colors / Finishes

- PC: Polished Chrome
- PN: Polished Nickel
- SN: Satin Nickel

Shower Bracket Set 2639B




Specified Model

Model	Description	Colors Finishes
2639B	Shower Rod Brackets, Pair	<input type="checkbox"/> PC <input type="checkbox"/> PN <input type="checkbox"/> SN

Required Accessory

Model	1139R-6
Finish	<input type="checkbox"/> PC <input type="checkbox"/> PN <input type="checkbox"/> SN
Image	

Optional Accessory

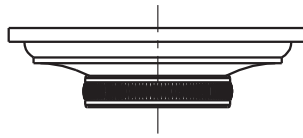
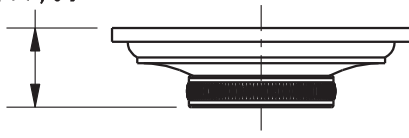
Model	1139SR
Finish	<input type="checkbox"/> PC <input type="checkbox"/> PN <input type="checkbox"/> SN
Image	

Product Specification: Add "Color / Finish" Suffix to Model Number Below

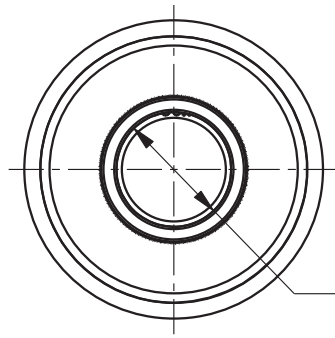
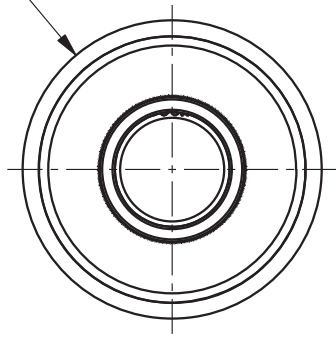
The Shower Rod Set shall incorporate solid metal construction including a stainless steel rod and concealed mounting brackets. Mounting brackets shall incorporate o-ring stabilizers at the mounting bracket/rod interfaces. Shower Rod Set shall complement London Terrace product series. Shower Rod Set shall consist of be Ginger Shower Rod Brackets (Pair) Model 2639B/____ and Ginger 6' Shower Curtain Rod Model 1139R-6/____. [Shower Curtain Rings, Set of 12, shall be Ginger Model 1139SR/____.]

2639B

.69
[17,5]



Ø 2.60
[66]



Ø 1.00 [25,4]

