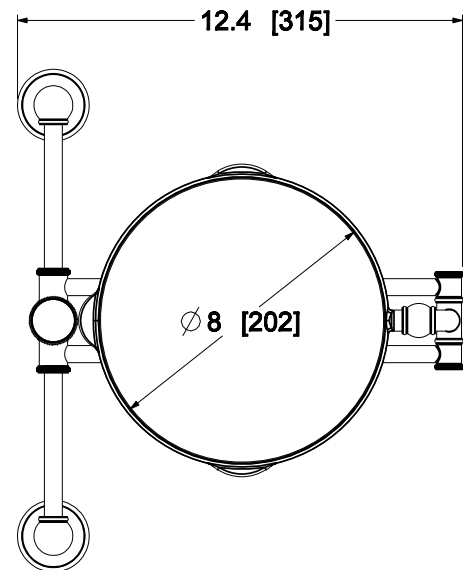


**MIRROR SPECIFICATIONS:**

**NO MAGANFICATION -SIDE 1  
3X MAGANFICATION - SIDE 2**



FINISHES:AGD- ANTIQUE GOLD, AS- ANTIQUE SILVER, 10B- OIL RUBBED BRONZE,14- POLISHED NICKEL, 16- SATIN NICKEL, 26 POLISHED CHROME		UNIT:INCH [MM]
MATERIAL: VARIOUS BRASSES, STAINLESS STEEL MOUNTING HARDWARE		WEIGHT: 3LBS. 14 OZ. [1.7KG.]
PART NO.	4544	VANITY MIRROR
DATE:5.07.07	REV.DATE:	SCALE 3:16
		COLUMNAR

**GINGER**  
DWG.NO.  
PD-4544