



# EQUILITY™ (Formerly LYNDON®)

## ONE-PIECE RIGHT HEIGHT® ELONGATED DUAL FLUSH TOILET



### D22690A200.415

#### FEATURES

- Elongated bowl design
- Vitreous china
- 12" (305 mm) rough-in
- Siphon action jetted bowl with smooth-sided, concealed trapway
- High efficiency, dual flush, low consumption 1.28 gpf/4.8 Lpf conserving flush 1.0 gpf/3.8 Lpf
- EverClean® surface inhibits the growth of stain- and odor-causing bacteria, mold, and mildew on the surface
- Fully glazed
- Rim height at 16-1/2" (419 mm) for accessible application
- Durable slow-close seat made of polypropylene plastic
- 3" Flush valve
- Colored-matched bolt hole covers
- Chrome top mounted push button actuator

#### DIMENSIONS

##### NOMINAL DIMENSIONS

30-3/16" x 14" x 30-13/16" (767 x 356 x 783 mm)

##### WATER SPOT

7-7/8" (200 mm) wide

9-1/4" (235 mm) length

5-1/2" (140 mm) distance to rim

#### COLORS/FINISHES

Canvas White (415)

#### COMPONENTS

5025A15G.415	Contemporary Elongated Luxury Seat
735188-400.415	Tank Cover
7381338-200-2950A	Plated Dual Flush Actuator Brushed Nickel (2950A) (optional component)
7381338-201-2430A	Plated Dual Flush Actuator Matte Black (2430A) (optional component)

#### COMPLIANCE CERTIFICATIONS

Meets or Exceeds ASME A112.19.2-2008/CSA B45.1-08

EPA WaterSense® Certified

CEC and CALGreen® Compliant

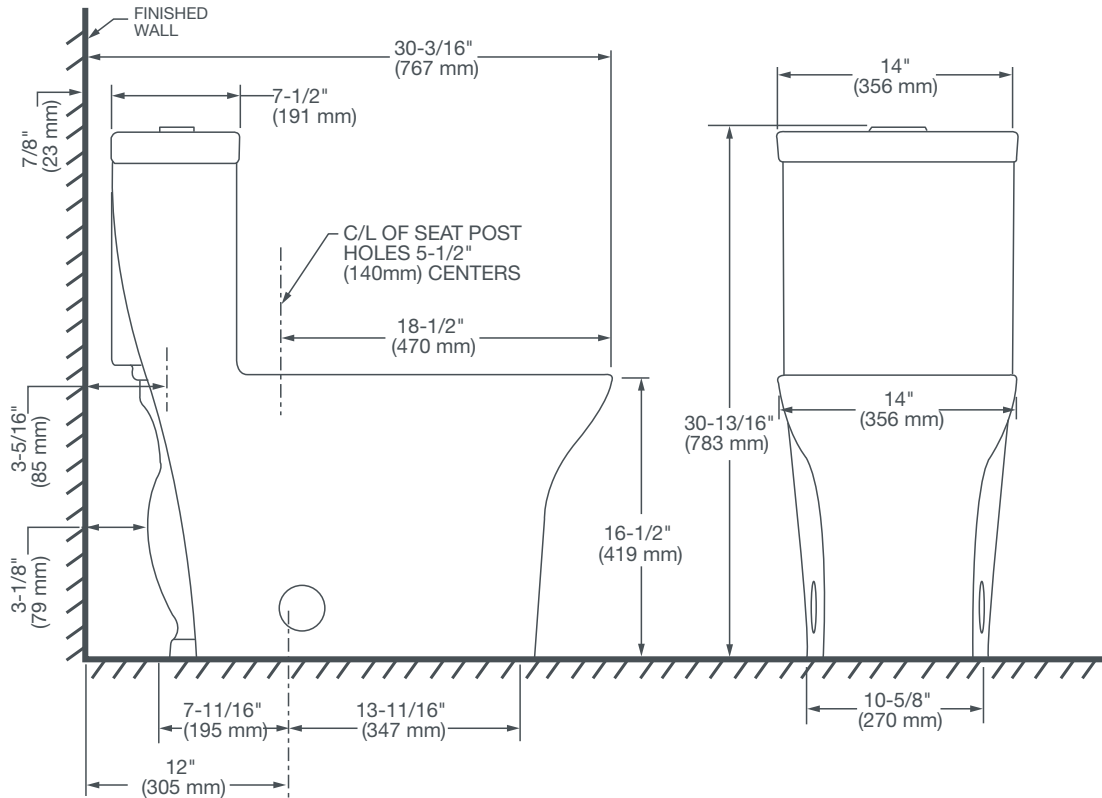


ROUGH-IN DIAGRAM SHOWN  
ON NEXT PAGE



# EQUILITY™ (Formerly LYNDON®)

## ONE-PIECE RIGHT HEIGHT® ELONGATED DUAL FLUSH TOILET



### NOTES:

This toilet is designed to rough-in at a minimum dimension of 12" (305 mm) from finished wall to C/L of outlet. Supply not included with fixture and must be ordered separately.

Dimensions shown for location of supply is suggested.

### IMPORTANT:

Dimensions of fixtures are nominal and may vary within the range of tolerance established by ANSI Standard A112.19.2. These measurements are subject to change or cancellation. No responsibility is assumed for use of superseded or voided pages.

PART OF LIXIL