



REM[®]

WALL MOUNTED LAVATORY FAUCET



- European minimalist design
- Cast brass spout and side valves
- Ceramic disc valve cartridges
- Lead Free - faucet contains $\leq 0.25\%$ total lead content by weighted volume
- Rough valve sold separately
- Maximum flow rate: 1.5 gpm (5.7 L/min)
- Low flow rate: 1.2 gpm (4.5 L/min)

CODES AND STANDARDS

Meets or Exceeds ASME A112.18.1/
CSA B125.1/NSF 61/Section 9

EPA WaterSense[®] High Efficiency
Lavatory Faucet Specification

Certified Compliant with 0.25% Weighted
Average Lead Content Regulations

AVAILABLE FINISHES

Polished Chrome
Brushed Nickel

FINISH CODE

100
144



DESCRIPTION

1.5 gpm (5.7 L/min)
Wall Mounted Lavatory
Faucet Trim Kit
1.2 gpm (4.5 L/min)
Wall Mounted Lavatory
Faucet Trim Kit
Dual Control Wall Mounted
Faucet Rough Valve (optional component)

PRODUCT NUMBER

D35100450.XXX
D3510045C.XXX
D35000450.191

ROUGH-IN DIAGRAM
SHOWN ON NEXT PAGE

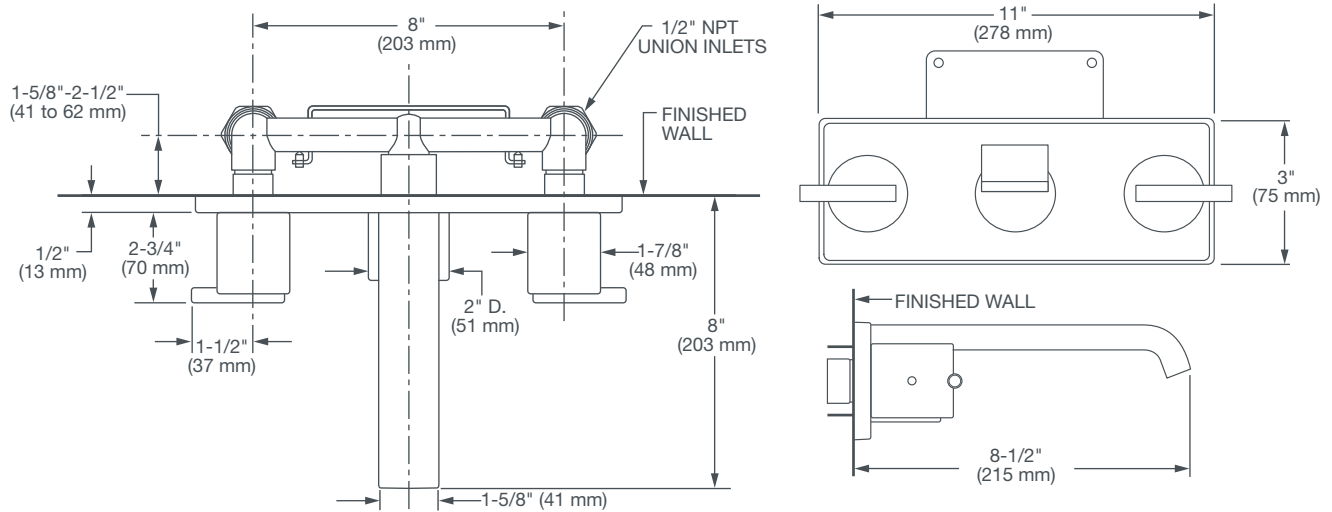


Meets the Americans with Disabilities Act
Guidelines and ANSI A117.1 Requirements
for the physically challenged.



REM[®]

WALL MOUNTED LAVATORY FAUCET



IMPORTANT: These measurements are subject to change or cancellation. No responsibility is assumed for use of superseded or voided pages.

PART OF **LIXIL**