



RANDALL®

PERSONAL SHOWER SET WITH HAND SHOWER



- 5 ft. (1.5 m) decorative metal hose
- Hand shower includes flow restrictor
- Wall elbow
- 24" Adjustable bar with bracket and metal hose
- Maximum hand shower flow rate: 2.0 gpm (7.6 L/min)
- Low hand shower flow rate: 1.8 gpm (6.8 L/min)

CODES AND STANDARDS

Meets or Exceeds ASME A112.18.1/CSA B125.1

EPA WaterSense® Certified

CEC and CALGreen® Compliant

DESCRIPTION

Personal Shower Set
with Hand Shower
2.0 gpm (7.6 L/min)
1.8 gpm (6.8 L/min)

PRODUCT NUMBER

D35102780.XXX
D3510278C.XXX

AVAILABLE FINISHES

Polished Chrome
Brushed Nickel
Platinum Nickel
Satin Brass

FINISH CODE

100
144
150
427

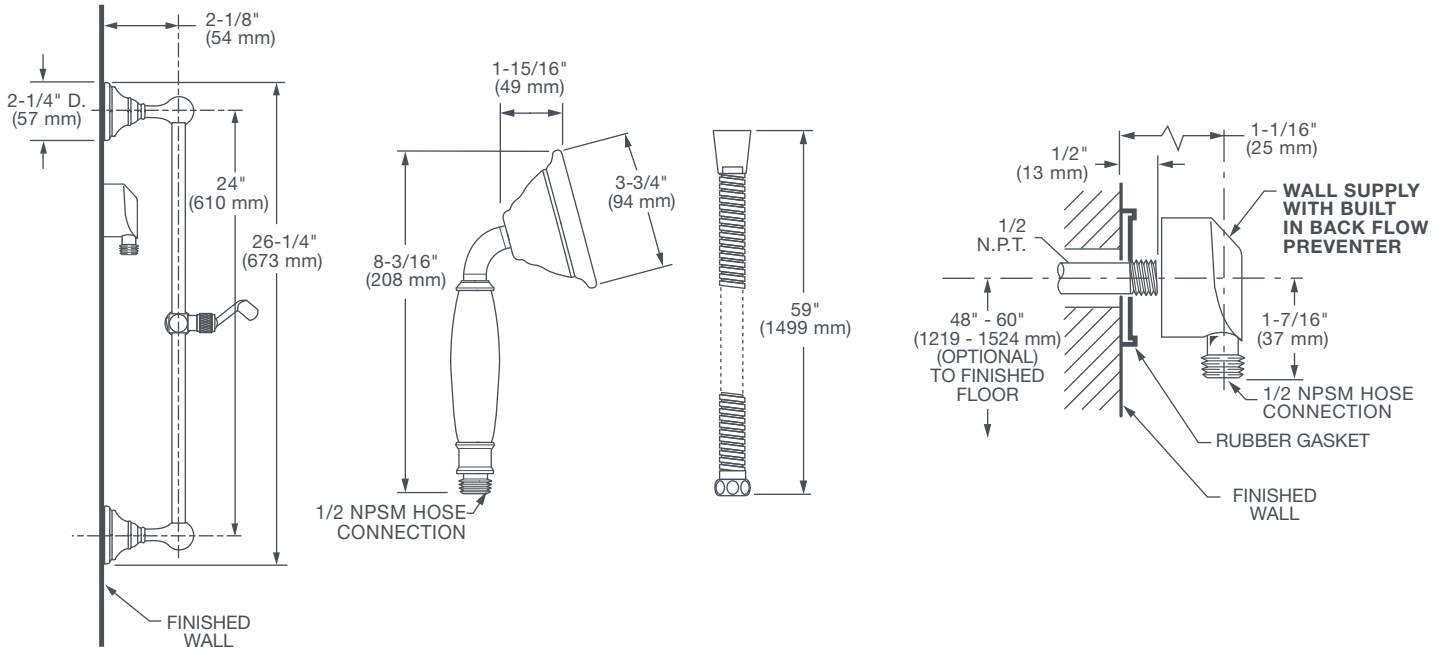
ROUGH-IN DIAGRAM
SHOWN ON NEXT PAGE

CALGreen® is a registered trademark of California Building Standards Commission.



RANDALL®

PERSONAL SHOWER SET WITH HAND SHOWER



IMPORTANT: These measurements are subject to change or cancellation. No responsibility is assumed for use of superseded or voided pages.

PART OF **LIXIL**