



DXV MODULUS™

VESSEL FAUCET



- Sleek, modern design with fluid and balanced proportions
- Features a decorative base ring with a two tone finish in either Polished Chrome or Brushed Nickel, depending on the Faucet finish selected
- Cast brass spout and side valves
- Ceramic disc valve cartridges
- Lead Free—faucet contains $\leq 0.25\%$ total lead content by weighted volume
- Maximum flow rate: 1.2 gpm (4.5 L/min)
- Red and Blue (hot/cold) indicator markings on handle

CODES AND STANDARDS

Meets or Exceeds ASME A112.18.1/
CSA B125.1/NSF 61/Section 9

EPA WaterSense® High Efficiency
Lavatory Faucet Specification

Certified Compliant with 0.25% Weighted
Average Lead Content Regulations

DESCRIPTION

Vessel Faucet

PRODUCT NUMBER

D35120152RB.XXX

AVAILABLE FINISHES

Polished Chrome

FINISH CODE

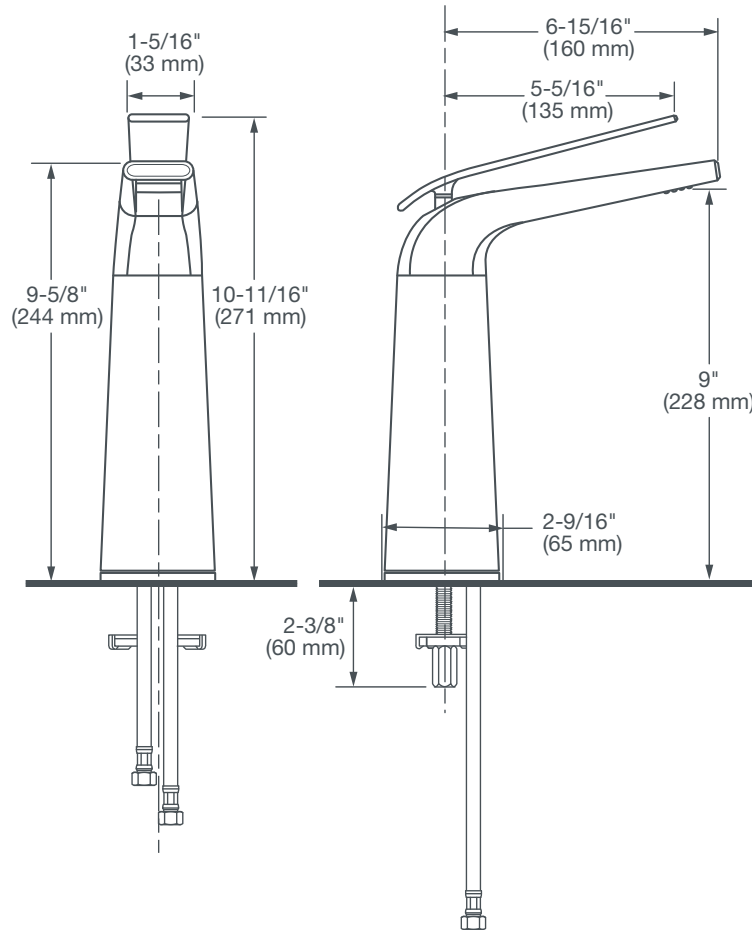
100

ROUGH-IN DIAGRAM
SHOWN ON NEXT PAGE



DXV MODULUS™

VESSEL FAUCET



NOTE: MOUNTING HOLES ARE 1-3/8" D. (35 mm)

IMPORTANT: These measurements are subject to change or cancellation. No responsibility is assumed for use of superseded or voided pages.

PART OF **LIXIL**