



DXV MODULUS™

LAVATORY WALL MOUNT FAUCET



- Sleek, modern design with fluid and balanced proportions
- Features a decorative base ring with a two tone finish in either Polished Chrome or Brushed Nickel, depending on the Faucet finish selected
- Ceramic disc valve cartridges
- Lead Free—faucet contains $\leq 0.25\%$ total lead content by weighted volume
- Maximum flow rate: 1.2 gpm (4.5 L/min)

CODES AND STANDARDS

Meets or Exceeds ASME A112.18.1/ CSA B125.1, NSF 61/Section 9

EPA WaterSense® Certified

Certified Compliant with $\leq 0.25\%$ Weighted Average Lead Content Regulations

CEC and CALGreen® Compliant

AVAILABLE FINISHES

Polished Chrome
Brushed Nickel
Platinum Nickel
Matte Black

FINISH CODE

100
144
150
243

DESCRIPTION

Wall Mount Faucet

PRODUCT NUMBER

D35120450.XXX

ROUGH-IN DIAGRAM
SHOWN ON NEXT PAGE

CALGreen® is a registered trademark of California Building Standards Commission.

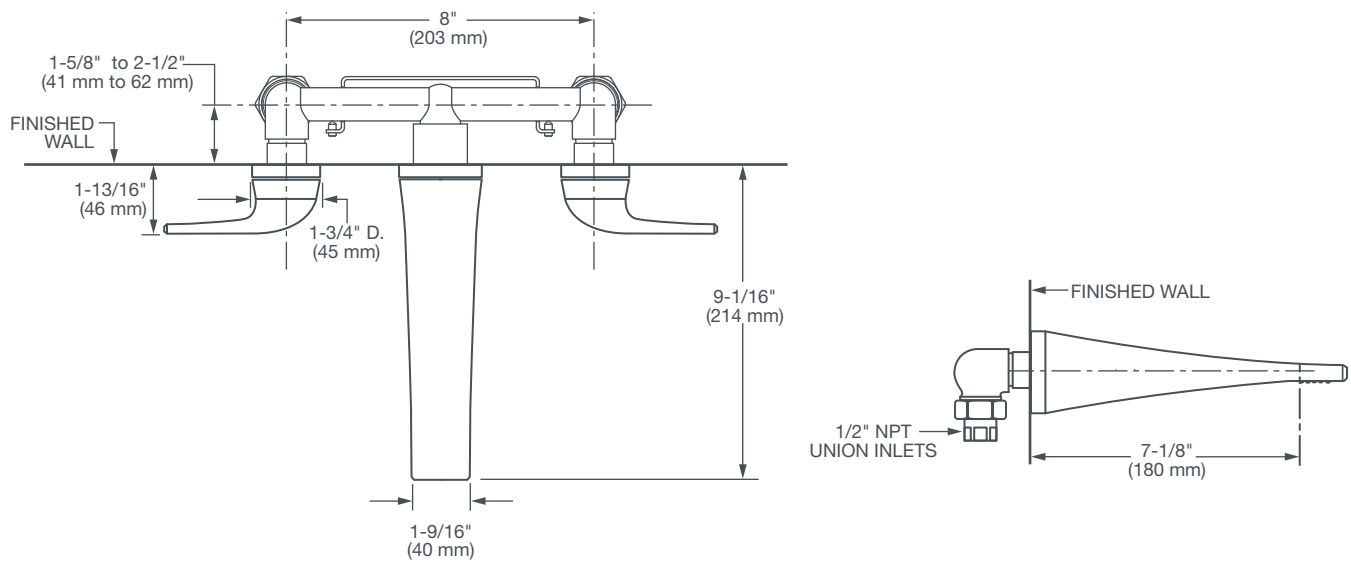


Meets the Americans with Disabilities Act Guidelines and ANSI A117.1 Requirements for the physically challenged.



DXV MODULUS™

LAVATORY WALL MOUNT FAUCET



IMPORTANT: These measurements are subject to change or cancellation. No responsibility is assumed for use of superseded or voided pages.

PART OF **LIXIL**