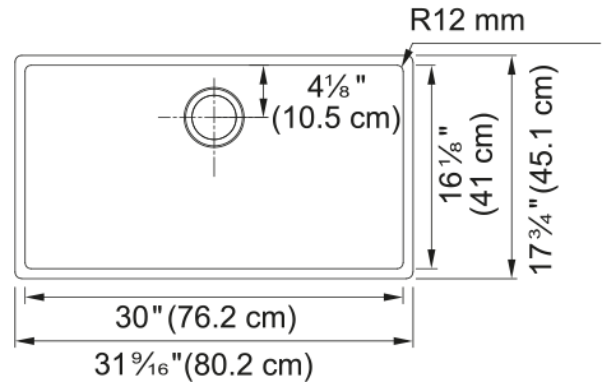
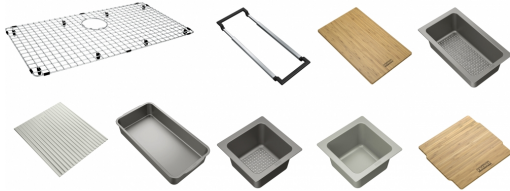


Cube Workcenter Sink - CUX11030-WKC | 122.0672.231



Franke Cube Workcenter 31.5-in. x 17.7-in. 18 Gauge Stainless Steel Undermount Single Bowl Kitchen Sink The Cube ALL-IN workcenter supports your entire food preparation creating a modular, innovative, and design-oriented workstation. Well-equipped and intuitive, this modular workcenter sink has everything you need to quickly prepare meals, saving you time and space while allowing you to shift seamlessly between tasks. ACCESSORIES INCLUDED: All-In Accessory System AIUS300, Bottom Sink Grid, Strainer Basket

Aspect

| | |
|------------------|-----------------|
| Sink type | Sink |
| Type of material | Stainless steel |
| Number of bowls | 1 |
| Product color | Steel |
| Surface finish | Pearl |

Product Dimensions

| | |
|--------------------------------|--------|
| Length (right to left) | 31.496 |
| Width (front to back) | 17.756 |
| Large bowl size: right to left | 30 |
| Large bowl size: front to back | 16.142 |
| Large bowl: depth | 9.016 |

Installation

| | |
|----------------------|-----|
| Minimum cabinet size | 36" |
|----------------------|-----|

Product specifications

| | |
|---------------------|------------|
| Installation type | Undermount |
| Drain hole | 3 1/2" |
| Position of drainer | No drainer |

Product identification

| | |
|----------------|--------|
| Product brand | FRANKE |
| Product family | Maris |
| Collection | Cube |
| Certified by | IAPMO |

Features

| | |
|-----------------------|------------|
| Drainers number | No drainer |
| Product reversibility | No |
| Faucet ledge | No |

| | |
|----------------------------|----------------|
| Strainer assembly included | Yes |
| Strainer Assembly | Manual |
| Overflow | No |
| Number of faucet holes | No faucet hole |
| Soap dispenser hole | No |