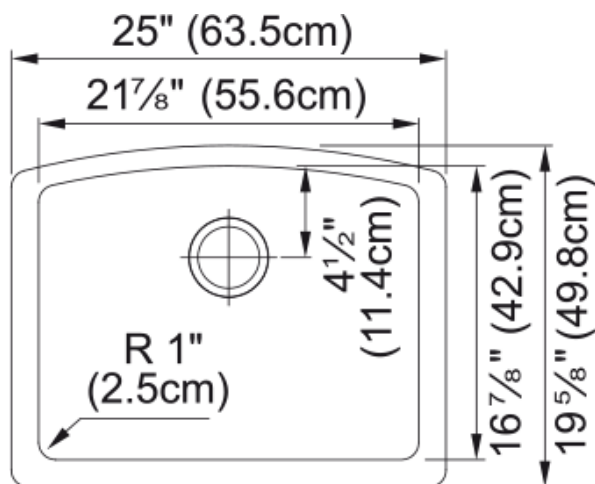


Ellipse Undermount Sink - ELG11022PWT | 125.0637.083



25-in. x 19.6-in. Polar White Fraganite Undermount Single Bowl Kitchen Sink. Ellipse Fraganite sinks are durable and resistant to scratches, stains and heat.

Aspect

Sink type	Sink
Type of material	Fragranite
Number of bowls	1
Product color	Polar white
Surface finish	None

Product Dimensions

Length (right to left)	25
Width (front to back)	19.638
Large bowl size: right to left	21.85
Large bowl size: front to back	16.89
Large bowl: depth	9.016

Installation

Minimum cabinet size	27"
----------------------	-----

Product specifications

Installation type	Undermount
Drain hole	3 1/2"
Position of drainer	No drainer

Product identification

Brand	FRANKE
Collection	Ellipse Usa
Certified by	CE

Features

Drainers number	No drainer
Product reversibility	No
Faucet ledge	No
Strainer assembly included	No
Strainer Assembly	No waste kit

Overflow	No
Number of faucet holes	No faucet hole
Soap dispenser hole	No