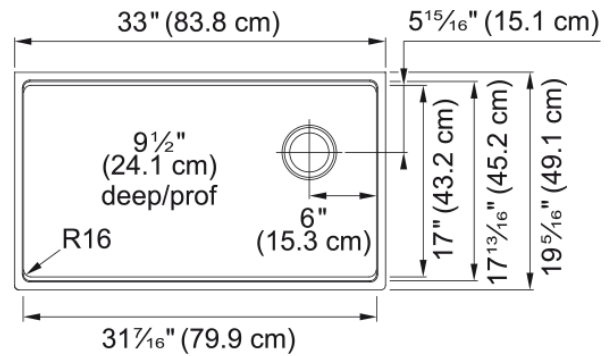
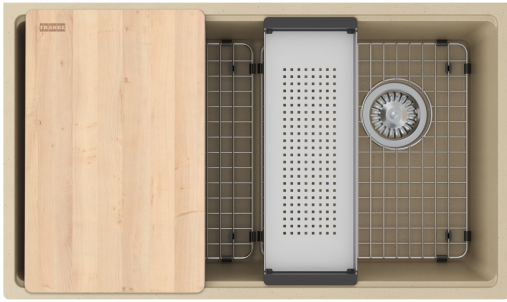


Maris Workcenter Sink MAG11031OW-CHA-WKC | 125.0672.244



33-in. x 19.3-in. Undermount Fraganite Single Bowl Workcenter Kitchen Sink in Champagne. Hardworking and well equipped, the Maris Fraganite workcenter sink has everything you need to create a multi-functional workspace in your kitchen. Optimize every inch of your sink with accessories to wash food, chop, prep, clean up, dry dishes, and more. Made from Fraganite, a tough material highly resistant to burns, dents, chips, and stains, this workcenter sink is a perfect choice for busy family homes. ACCESSORIES INCLUDED: Bottom Grid, Cutting Board, Colander and Strainer Basket

Aspect

| | |
|------------------|------------|
| Sink type | Sink |
| Type of material | Fragranite |
| Number of bowls | 1 |
| Product color | Champagne |
| Surface finish | None |

Product Dimensions

| | |
|--------------------------------|--------|
| Length (right to left) | 33.004 |
| Width (front to back) | 19.335 |
| Large bowl size: right to left | 31.457 |
| Large bowl size: front to back | 17.035 |
| Large bowl: depth | 9.496 |

Installation

| | |
|----------------------|-----|
| Minimum cabinet size | 36" |
|----------------------|-----|

Product specifications

| | |
|----------------------------|------------|
| Installation type | Undermount |
| Drain hole | 3 1/2" |
| Position of drainer | No drainer |
| Active Twist Compatibility | No |
| Installation device | Clamp Bag |

Product identification

| | |
|----------------|--------|
| Brand | FRANKE |
| Product family | Maris |
| Collection | Maris |
| Certified by | CUPC |

Features

| | |
|----------------------------|----------------|
| Drainers number | No drainer |
| Product reversibility | No |
| Faucet ledge | No |
| Strainer assembly included | Yes |
| Strainer Assembly | Manual |
| Overflow | No |
| Number of faucet holes | No faucet hole |
| Soap dispenser hole | No |