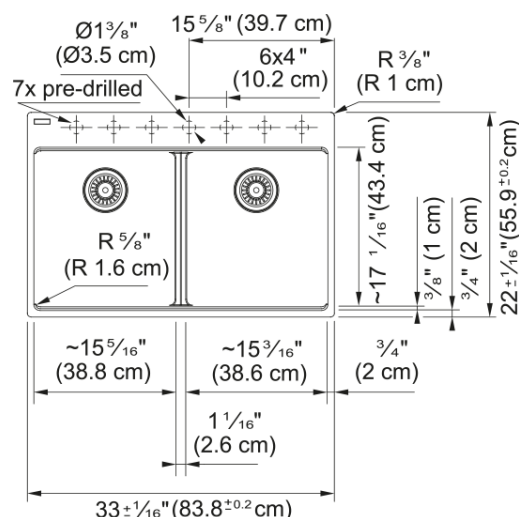


## Maris Dual Mount Sink - MAG6201515-SLG | 114.0713.094



33.0-in. x 22.0-in. Dual Mount Fraganite Double Bowl Kitchen Sink in Slate Grey. Maris sinks are equipped with deep capacity bowls that can easily fit baking trays, pots, and pans to be washed with maximum ease. With our easy-to-use integrated ledge system, you'll accomplish more with your sink while making the most of your surrounding counter space. The rear drain maximizes the usable surface of the bowl and creates extra cabinet space beneath the sink. Maris Fraganite sinks are scratch-resistant, fade-resistant, and impact resistant and will retain their new appearance for years.

### Aspect

Sink type	Sink
Type of material	Fraganite
Number of bowls	2
Product color	Slate grey
Surface finish	None

### Product Dimensions

Length (right to left)	32.992
Width (front to back)	22.008
Large bowl size: right to left	15.252
Large bowl size: front to back	16.732
Large bowl: depth	9.488
Small bowl size: right to left	15.252
Small bowl size: front to back	16.732
Small bowl: depth	9.488

### Installation

Minimum cabinet size	36"
----------------------	-----

### Product specifications

Installation type	Topmount / drop in
Installation type	Undermount
Drain hole	3 1/2"
Position of drainer	No drainer
Active Twist Compatibility	No
Installation device	Fast-Fix Clips

### Product identification

Brand	FRANKE
-------	--------

Collection	Maris
Certified by	IAPMO
<b>Features</b>	
Drainers number	No drainer
Product reversibility	No
Faucet ledge	Yes
Strainer assembly included	No
Strainer Assembly	No waste kit
Overflow	No
Number of faucet holes	7 - pre-scored
Soap dispenser hole	No