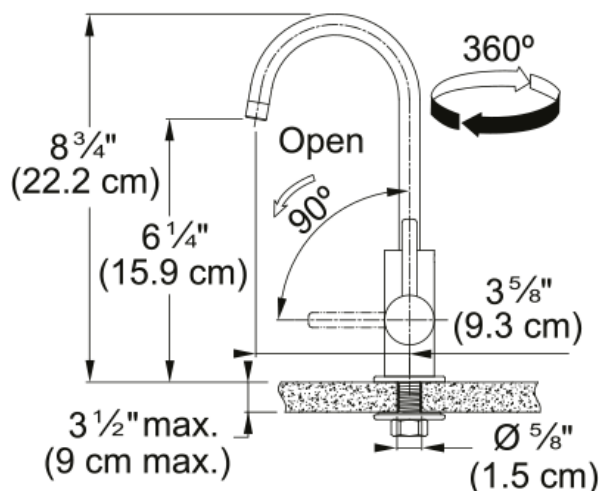


Universal Cold Filtered - UNJ-FW-304 | 120.0704.764



8.75-in Single Handle Cold Water Filtration Faucet in Stainless Steel. Constructed with 100% lead-free 304 stainless steel, a naturally hygienic surface that is corrosion and tarnish-resistant, resulting in a high-performance and low-maintenance faucet. Proportionately sized and available in a variety of finishes to complement any products in the Franke faucet portfolio. Bring wellness home by pairing this UNJ-FW-304 water dispenser with our CT-200 chiller tank and Franke Filtration system (sold separately) and provide your family with an on-demand flow of clean, safe, cold filtered water directly from your kitchen filtration faucet.

Aspect

| | |
|------------------|---------------------|
| Spout type | J - spout |
| Product color | Stainless steel |
| Type of material | Stainless steel 304 |

Product Dimensions

| | |
|----------------------|----------|
| Faucet hole diameter | 31,75 mm |
| Cartridge dimension | 12,70 mm |

Installation

| | |
|------------------------------|----------|
| Mounting type | Shank |
| Water supply hose connection | 3/8" |
| Water supply hose length | 60.00 in |

Product specifications

| | |
|------------------|---------------|
| Pressure | High pressure |
| Faucet type | Swivel spout |
| Faucet operation | Side lever |
| Faucet rotation | 360° |

Product identification

| | |
|----------------|-----------|
| Brand | FRANKE |
| Product family | None |
| Collection | Universal |

Features

| | |
|----------------------|------------------|
| Water saving feature | No |
| Type of aerator | Laminar |
| Application | Chilling Tank |
| Application | Water filtration |