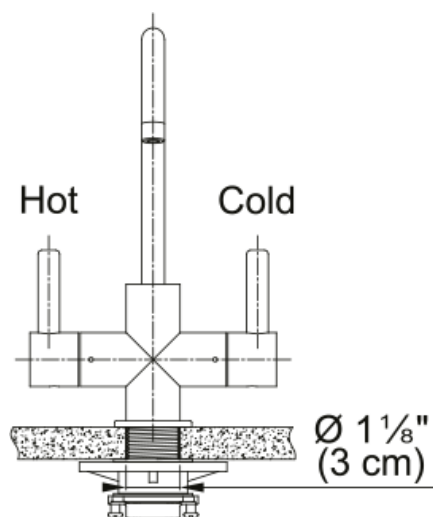


Universal Hot/Cold Filtered - UNJ-HC-GLD | 120.0704.772



8.75-in Double Handle Hot and Cold Water Filtration Faucet in Gold. Constructed with 100% lead-free 304 stainless steel, a naturally hygienic surface that is corrosion and tarnish-resistant, resulting in a high-performance and low-maintenance faucet. Proportionately sized and available in a variety of finishes to complement any products in the Franke faucet portfolio. Bring wellness home by pairing the UNJ-HC-GLD with our HT-400 heating tank and Franke Filtration system (sold separately) and provide your family with an on-demand flow of clean, safe, instant hot and cool filtered water directly from your kitchen filtration faucet.

Aspect

Spout type	J - spout
Product color	Gold
Type of material	Stainless steel 304

Product Dimensions

Faucet hole diameter	31,75 mm
Cartridge dimension	12,70 mm

Installation

Mounting type	Shank
Water supply hose connection	3/8"
Water supply hose length	60.00 in

Product specifications

Pressure	High pressure
Faucet type	Swivel spout
Faucet operation	Side lever
Faucet rotation	360°

Product identification

Brand	FRANKE
Product family	None
Collection	Universal

Features

Water saving feature	No
Type of aerator	Laminar
Application	Chilling Tank
Application	Heating Tank
Application	Water filtration