

**STUDIO® 60" x 32" BATHING POOL with FOLD  
OVER EDGE**

- 2946.112 BATHING POOL**  
Right Drain
- 2946.212 BATHING POOL**  
Left Drain



**Product Features:**

- High-gloss acrylic with fiberglass reinforcement for durability
- Fold Over Edge apronless design allows for a custom finish to the tub apron
- Integral three-sided, 1" tiling/water retention flange helps prevent water seepage
- Remodel-friendly size fit standard alcove or new construction
- For recess installation
- Pre-leveled tub bottom for easier installation
- Integral lumbar support provides extra comfort
- A wide and deep bathing well provides maximum bathing space
- Spaciously designed to provide maximum bathing space with a wide and deep bathing well
- A textured floor helps to improve safety
- Coordinates with other Studio suite fixtures and fittings to complete a full suite
- Arctic White finish (.011)
- Limited Lifetime warranty

**Nominal Dimensions:**

60" x 32" x 18"  
(1524 x 813 x 457mm)

**Compliance Certifications -  
Meets or Exceeds the Following Specifications:**

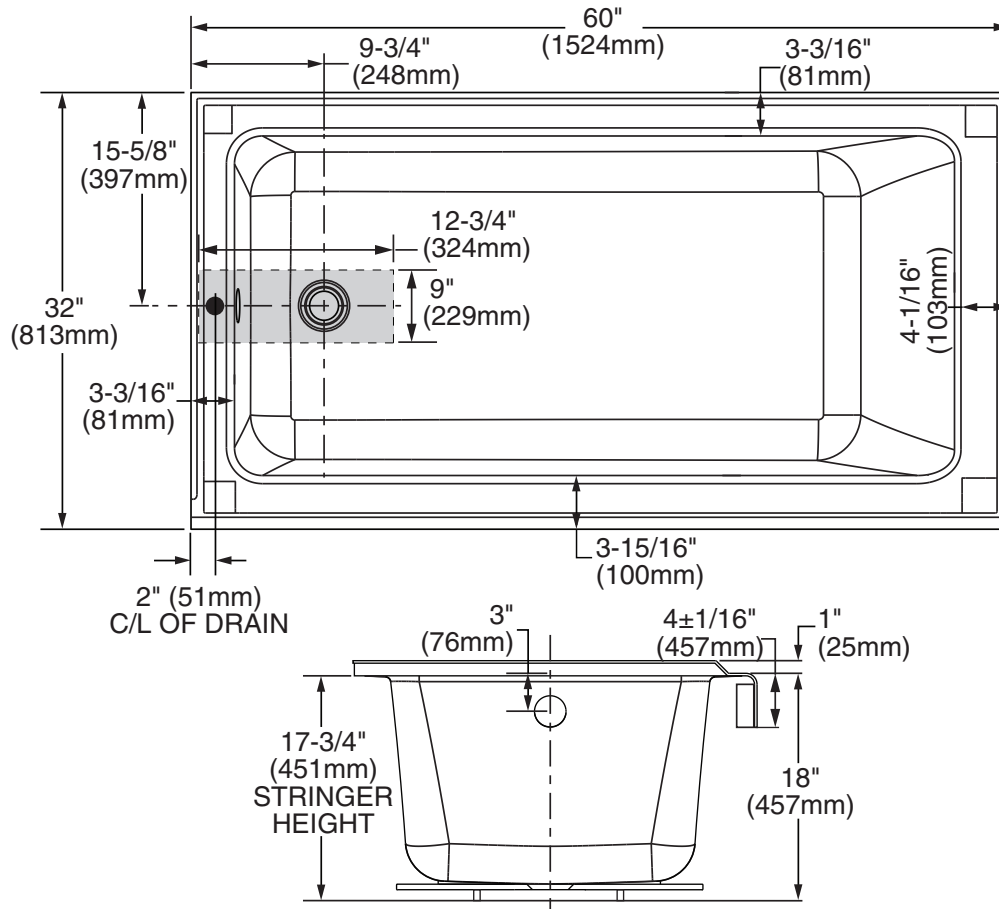
- CSA B45.5-11 / IAPMO Z124-2011
- cUPC

**To Be Specified - Required**

- Bath Faucet\*:
- Faucet Finish:
- Drain\*:
- Drain Finish:

\*See American Standard faucet and drain section of Product Selector

SEE REVERSE FOR ROUGHING-IN DIMENSIONS  
AND PRODUCT SPECIFICATIONS



<b>GENERAL SPECIFICATIONS FOR 2946.112/212 TUB</b>	
INSTALLED SIZE	60 x 32 x 18 In. (1524 x 813 x 457mm)
WEIGHT	50 Lbs. (23 Kg)
WEIGHT w/WATER	483 Lbs. (220 Kg)
GAL. TO OVERFLOW	52 Gal. (197 L)
BATHING WELL AT SUMP	22 x 44.5 In. (559 x 1130mm)
BATHING WELL AT RIM	25 X 53 In. (635 x 1346mm)
WATER DEPTH TO OVERFLOW	12 In. (305mm)
FLOOR LOADING (PROJECTED AREA)	36 Lbs./Sq.Ft. (178 Kgs/Sq.m)
PTS.	27.5
CUBE (FT <sup>3</sup> )	28.9

**NOTES:**

- BATH TO BE INSTALLED ABOVE FLOOR LINE AS A RECESS INSTALLATION.
- REFER TO INSTALLATION INSTRUCTIONS SUPPLIED WITH TUB FOR ADDITIONAL INFORMATION.
- FITTINGS NOT INCLUDED AND MUST BE ORDERED SEPARATELY.
- PROVIDE SUITABLE REINFORCEMENT FOR ALL SUPPORTS.
- MOUNTING HOLES DRILLED BY INSTALLER.

**IMPORTANT:** Dimensions of fixtures are nominal and may vary within the range of tolerances established by ANSI Standard CSA B45.5-11/IAPMO Z124-2011. These measurements are subject to change or cancellation. No responsibility is assumed for use of superseded or voided pages.