

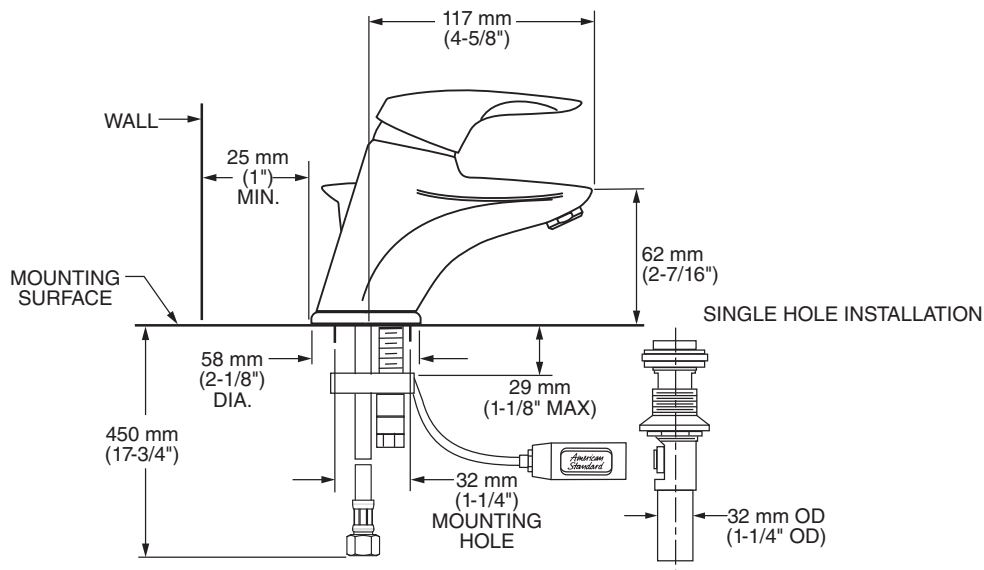
2000.101X Shown

MODEL NUMBER:

- 2000.101 Lavatory Faucet**
Metal Speed Connect® pop-up drain. Escutcheon plate.
- 2000.100 Lavatory Faucet**
Less drain. Less hole and pop-up rod. Escutcheon plate.
- 2000.101X Lavatory Faucet**
Metal Speed Connect pop-up drain.
Less escutcheon plate.

AVAILABLE ACCESSORY:

- 2000.102P Escutcheon Plate Only**



GENERAL DESCRIPTION:

Cast brass body and brass escutcheon (on applicable models) with all metal handle. Washerless 47 mm ceramic disc valve cartridge. Equipped with a hot limit safety stop. Braided flexible supply hoses with 3/8" compression connectors. 20 inch (500 mm) long flexible stainless steel drain cable is pre-assembled to spout. Metal Speed Connect® drain body with 1-1/4 inch (32 mm) tail piece. 1.2 gpm/4.5 L/min. maximum flow rate.

PRODUCT FEATURES:

Brass Construction: Durable. Easy to clean. Ideal for prolonged contact with water.

Ceramic Disc Valve Cartridge: Assures a lifetime of smooth handle operation and drip-free performance.

Adjustable Hot Limit Safety Stop: Limits the amount of hot water allowed to mix with cold. Reduces the risk of accidental scalding.

Exclusive Speed Connect Metal Drain:

- Fewer parts. Installs in less time.
- No adjustments required - seals the first time, every time.
- Flexible stainless steel cable - installs effortlessly in tight spaces.

Lead Free: Faucet contains ≤ 0.25% total lead content by weighted average.

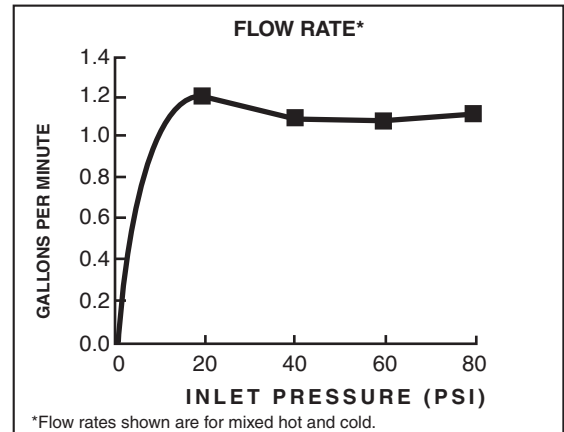
SUGGESTED SPECIFICATION

Single control lavatory fitting shall feature a cast brass body with all metal handle. Shall also feature washerless ceramic disc valve cartridge. Fitting shall be equipped with a hot limit safety stop. Shall also feature a metal drain body with stainless steel cable actuation. Fitting shall be American Standard Model # 2000._____.

CODES AND STANDARDS

These products meet or exceed the following codes and standards:

- ANSI A117.1**
- ASME A112.18.1**
- CSA B125.1**
- NSF 61/Section 9 and Annex G**



Product Number	Description		Finish Option
			Polished Chrome
			002
2000.101	Single Control Lavatory faucet. Metal Speed Connect® pop-up drain.		
2000.100	Lavatory faucet. Less drain, less pop-up hole and rod. Escutcheon plate.		
2000.101X	Lavatory faucet. Metal Speed Connect Pop-up drain. Less escutcheon.		
2000.102P	Escutcheon plate only.		

Meets the American Disabilities Act Guidelines and **ANSI A117.1** Requirements for the physically challenged.

AERATOR MODIFICATIONS	Parts Suffix**
0.5 gpm (1.9 Lpm) PCA* Spray	___F05
1.0 gpm (3.8 Lpm) PCA Aerator	___F10

*PCA — Pressure Compensating

To modify a product, add suffix after the 4th digit (ex. 2064F05**101.002)