

SR-3260LM /RM 32" x 60" Retrofit Shower Pan

Model number: SR03260LM

Dimensions: 32" x 60" x 4"

Installation:

Material: Swanstone



Standard Features:

- Available in left or right-hand drain.
- Reinforced solid surface means color and texture run all the way through and cannot wear away.
- Will not mold or mildew, no grout to clean.
- Pebbled, slip-resistant surface.
- Coordinates with Swanstone shower and bath systems.
- Without expensive plumbing re-work, this floor can be installed in the same area once

Product characteristics:

- Designed for tub replacement
- Low Threshold
- Coordinating wall set available

Warranty:

Lifetime limited

Code Compliant:

ANSI

Standard colors:



Certifications

Swan products adhere to one or more of the following certifications:



Recommended products (Visit our website for a complete list of our recommended products)

No	Description
SW000016	SK366072 36" x 60" x 72" Bath Wall Kit
SW000017	SK366296 36" x 62" x 96" Bath Wall Kit
SW000021	SQMK723662 36" x 62" x 72" Tile Bath Wall Kit

SR-3260LM /RM 32" x 60" Retrofit Shower Pan

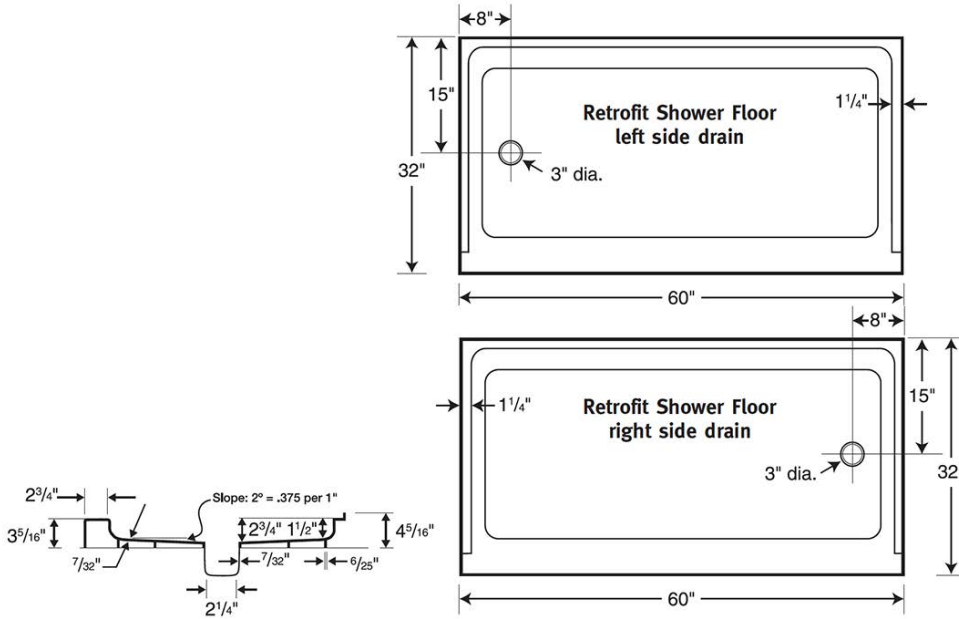
Model number: SR03260LM

Dimensions: 32" x 60" x 4"

Installation:

Material: Swanstone

Dimensions:
32 x 60 x 4 5/16 in.
Weight:
55 lbs
Shape:
Rectangular
Drain location:
Left
Right
Installation:



Project:

Contractor:

Representative:

Date:

Tel:

Notes: