

**PRODUCT SPECIFICATIONS**

Elkay Fireclay 30" x 18-13/16" x 9-5/8" Single Bowl Farmhouse Workstation Sink Kit, White. Sink is molded from fine fireclay with a durable porcelain glaze providing a finish that is non-porous and resists staining. Naturally sound deadening and Front Right drain placement.

<b>Installation Type:</b>	Farmhouse
<b>Material:</b>	Fireclay
<b>Special Features:</b>	Workstation
<b>Finish:</b>	White (WH)
<b>Number of Bowls:</b>	1
<b>Sink Dimensions:</b>	30" x 18-13/16" x 9-5/8"
<b>Bowl 1 Dimensions:</b>	28-3/8" x 16-1/4" x 9-5/8"
<b>Drain Size:</b>	3-1/2" (89mm)
<b>Drain Location:</b>	Front Right
<b>Minimum Cabinet Size:</b>	33"
<b>Mounting Hardware:</b>	No

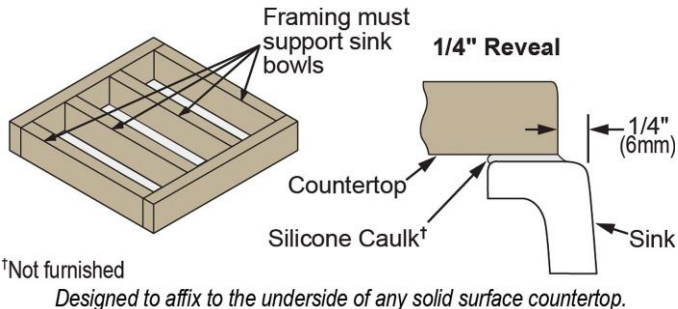
*Cutout template not included in box.*

**Special Note:** Reserve Selection products available in store only. Sink is reversible offering the option of a traditional flat front or a decorative band feature.



White  
(WH)

**Installation Profile:**



**Included with Product:** SWUF13020 sink, one LKCB1218HW cutting board, one LKOBG2715SS bottom grid, one LK99FC drain, and a LKCLKIT cleaning kit.

**AMERICAN PRIDE. A LIFETIME TRADITION.**

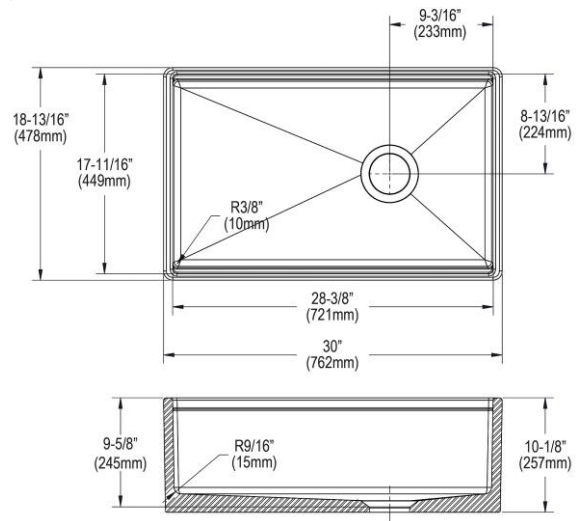
Like your family, the Elkay family has values and traditions that endure. For almost a century, Elkay has been a family-owned and operated company, providing thousands of jobs that support our families and communities.

**Product Compliance:** ASME A112.19.2/CSA B45.1  
**Accessory:** ASME A112.18.2/CSA B125.2



Sinks are listed by IAPMO<sup>®</sup> as meeting the applicable requirements of the Uniform Plumbing Code<sup>®</sup>, International Plumbing Code<sup>®</sup>, and National Plumbing Code of Canada.

[Clean and Care Manual \(PDF\)](#)  
[Installation Instructions \(PDF\)](#)  
[Warranty \(PDF\)](#)



PART: \_\_\_\_\_ QTY: \_\_\_\_\_  
 PROJECT: \_\_\_\_\_  
 CONTACT: \_\_\_\_\_  
 DATE: \_\_\_\_\_  
 NOTES: \_\_\_\_\_  
 APPROVAL: \_\_\_\_\_

*In keeping with our policy of continuing product improvement, Elkay reserves the right to change product specifications without notice. Please visit [elkay.com](http://elkay.com) for the most current version of Elkay product specification sheets. This specification describes an Elkay product with design, quality, and functional benefits to the user. When making a comparison of other producers' offerings, be certain these features are not overlooked.*

---

**OPTIONAL ACCESSORIES**

<b>Drain:</b>	LK99FCS
<b>Faucet:</b>	LKEC2037
<b>Soap Dispenser:</b>	LKGT1054

*In keeping with our policy of continuing product improvement, Elkay reserves the right to change product specifications without notice. Please visit [elkay.com](http://elkay.com) for the most current version of Elkay product specification sheets. This specification describes an Elkay product with design, quality, and functional benefits to the user. When making a comparison of other producers' offerings, be certain these features are not overlooked.*