

**PRODUCT SPECIFICATIONS**

Elkay Fireclay 30" x 19-15/16" x 9-1/8", Single Bowl Farmhouse Sink Kit. Sink is molded from fine fireclay with a durable porcelain glaze providing a finish that is non-porous and resists staining. Naturally sound deadening and Center drain placement.

<b>Installation Type:</b>	Farmhouse
<b>Material:</b>	Fireclay
<b>Finish:</b>	Matte Gray (MG), White (WH)
<b>Number of Bowls:</b>	1
<b>Sink Dimensions:</b>	30" x 19-15/16" x 9-1/8"
<b>Bowl 1 Dimensions:</b>	28-1/2" x 18-5/16" x 9-1/8"
<b>Drain Size:</b>	3-1/2" (89mm)
<b>Drain Location:</b>	Center
<b>Minimum Cabinet Size:</b>	27"
<b>Mounting Hardware:</b>	No

Cutout template not included in box.

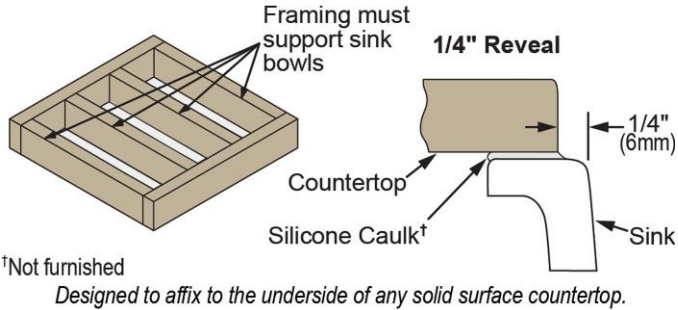


**Included with Product:** SWUF28179 Sink,  
LKBG2616SS Bottom Grid,  
LK99FC Drain,  
LKCLKIT Cleaning Kit

AMERICAN PRIDE. A LIFETIME TRADITION.  
Like your family, the Elkay family has values and traditions that endure. For almost a century, Elkay has been a family-owned and operated company, providing thousands of jobs that support our families and communities.

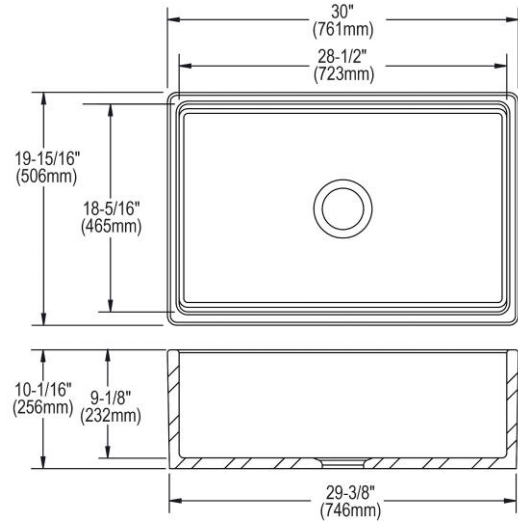
**Product Compliance:** ASME A112.19.2/CSA B45.1  
Accessory: ASME A112.18.2/CSA B125.2

**Installation Profile:**



†Not furnished  
Designed to affix to the underside of any solid surface countertop.

[Clean and Care Manual \(PDF\)](#)  
[Installation Instructions \(PDF\)](#)  
[Warranty \(PDF\)](#)



PART: \_\_\_\_\_ QTY: \_\_\_\_\_  
PROJECT: \_\_\_\_\_  
CONTACT: \_\_\_\_\_  
DATE: \_\_\_\_\_  
NOTES: \_\_\_\_\_  
APPROVAL: \_\_\_\_\_

In keeping with our policy of continuing product improvement, Elkay reserves the right to change product specifications without notice. Please visit [elkay.com](http://elkay.com) for the most current version of Elkay product specification sheets. This specification describes an Elkay product with design, quality, and functional benefits to the user. When making a comparison of other producers' offerings, be certain these features are not overlooked.