

Certified to comply with ANSI A112.18.1M

**PATIENCE  
DIVERTER TRIM KIT**

*Thank you for selecting American Standard...  
the benchmark of fine quality for over 100 years.*

**To ensure that your installation proceeds smoothly-please  
read these instructions carefully before you begin.**

**RECOMMENDED TOOLS**

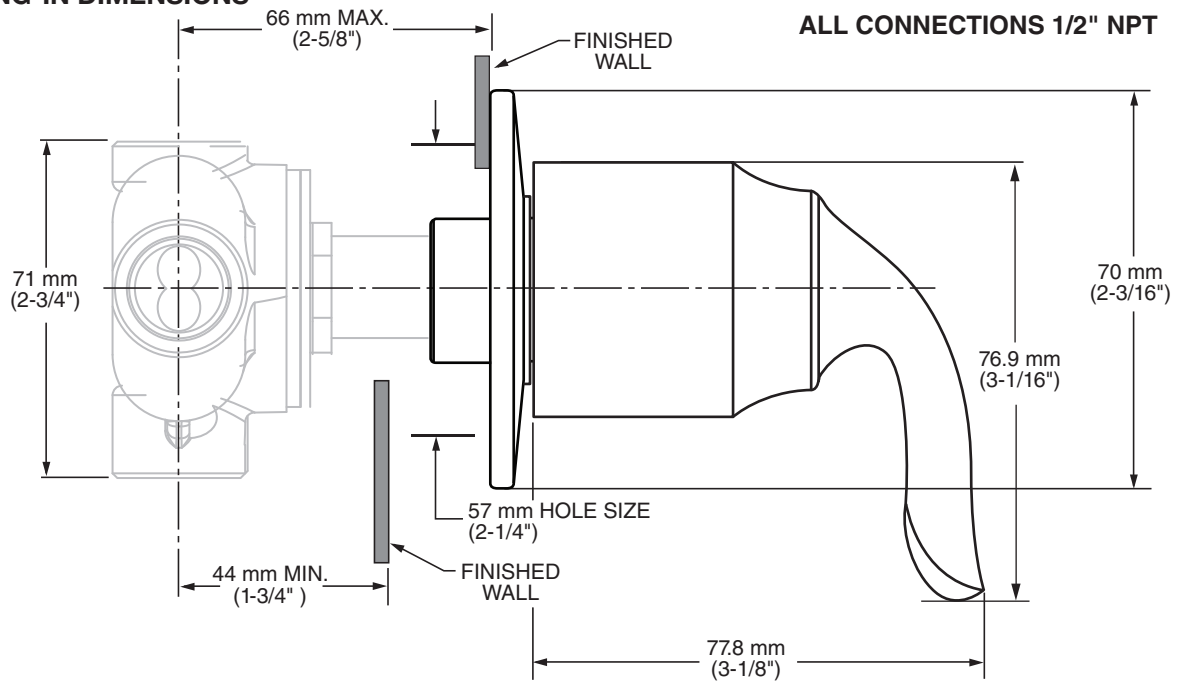


Flat Blade Screwdriver



Phillips Screwdriver

**ROUGHING-IN DIMENSIONS**



**CARE INSTRUCTIONS:**

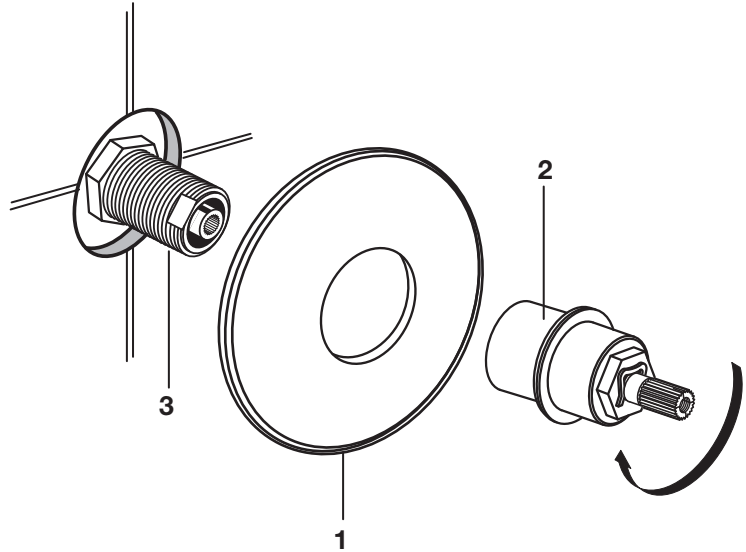
- To keep your new faucet looking new, please follow these simple care instructions:
  - DO:** – Simply rinse the faucet clean with clear water.
  - Dry the faucet with a soft cotton cloth.
  - DO NOT:**
    - Do not use any abrasive cleaners, cloths, or paper towels.
    - Do not use any cleaning agents containing acids, polish abrasives, or harsh cleaners or soaps.
- Regular and routine cleaning will reduce the need for heavy cleaning and polishing. If heavy cleaning is required, the following procedures are recommended:

- Remove as much surface dirt and film using clear water and soft cotton cloth **(as described above)**.
  - Use any of the following to remove tough surface film and build-up:
    - Mild liquid detergents
    - Clear ammonia free liquid glass cleaners
    - Non-acidic, non-abrasive gentle liquid or fully dissolved powder cleansers mixed according to manufacturers directions
    - Non-abrasive liquid polishers
- Once clean, rinse faucet again with clear water to thoroughly remove cleaner or polish and blot dry with a soft cotton cloth.

***Failure to follow these care instructions may damage the Faucet's finish.***

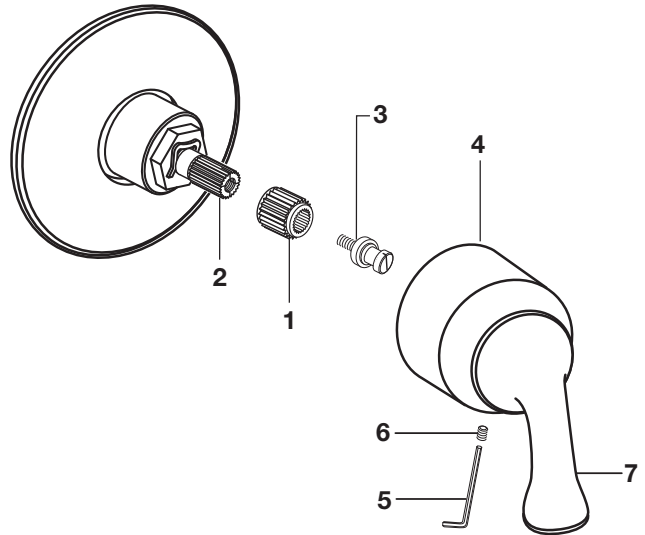
## 1 TRIM INSTALLATION

- Insert ESCUTCHEON (1) onto ESCUTCHEON HOLDER (2).
- Align ESCUTCHEON (1). Thread ESCUTCHEON HOLDER (2) onto DIVERTER VALVE (3).
- Tighten until ESCUTCHEON (1) is snug against finished wall.



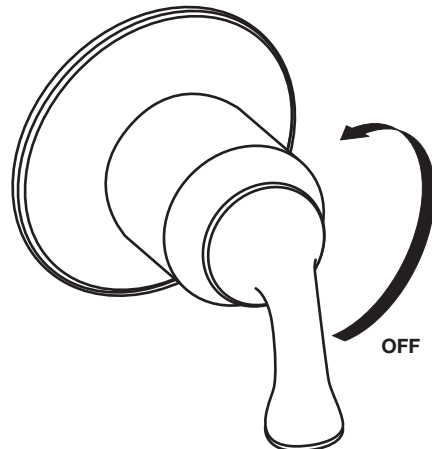
## 2 HANDLE INSTALLATION

- Install HANDLE ADAPTER (1) onto VALVE STEM (2).
- Install HANDLE SCREW (3) and tighten.
- Push HANDLE BASE (4) onto HANDLE ADAPTER (1).
- Align LEVER HANDLE (7) and push into HANDLE BASE (4).
- Use HEX WRENCH (5) supplied and tighten SET SCREW (6) to secure HANDLE (7).



## 3 OPERATING THE VALVE

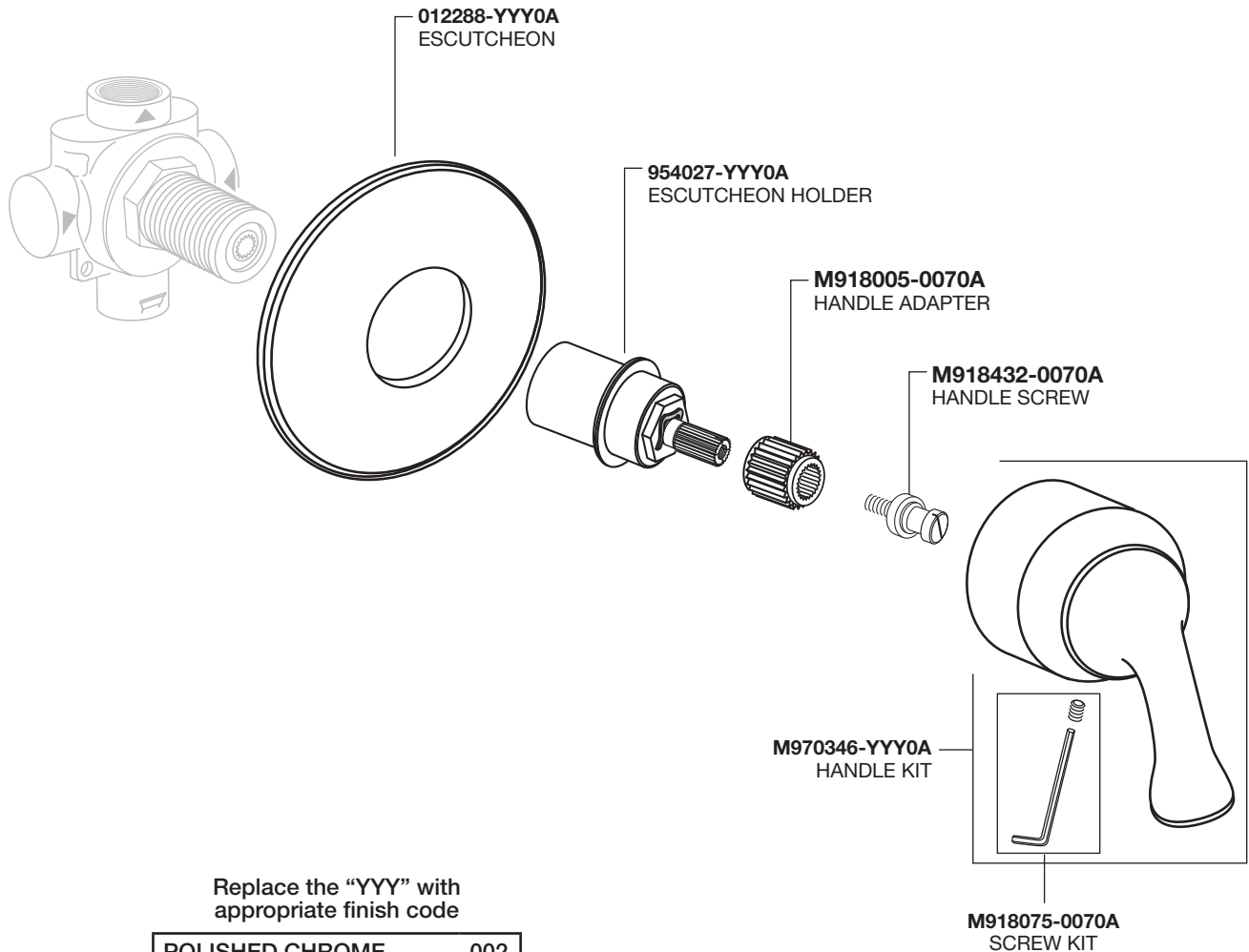
- Turn water supply on and test installed fitting.
- Rotate handle to all diverter positions to check operation of valve.
- Check for leaks.



## PATIENCE DIVERTER TRIM KIT

MODEL NUMBER

**T106.430**



Replace the "YYY" with appropriate finish code

POLISHED CHROME	002
BRUSHED NICKEL	295
LEGACY BRONZE	278
POLISH NICKEL	013

### HOT LINE FOR HELP

For toll-free information and answers to your questions, call:  
1 (800) 442-1902

Mon. - Fri. 8:00 a.m. to 8:00 p.m. EST

Saturday 10:00 a.m. to 4:00 p.m. EST

IN CANADA 1-800-387-0369

(TORONTO 1-905-306-1093)

Weekdays 8:00 a.m. to 7:00 p.m. EST

IN MEXICO 01-800-839-1200

