

# 60" ANDOVER ACRYLIC ROLL TOP TUB

Cat. No.  
ATR60



L: 60"  
W: 30"  
H: 24-1/2" (from floor)  
17-3/4" (from bottom of tub)

Water Depth: 11-1/2" to OF

**The following is recommended for ATR60 tubs:**

- Tub wall-mounted faucets: **#4022,4025 or 4035**
- Double offset bath supplies: part **#5576**
- Leg tub drain: part **#5599**

**Do Not Use with rigid, freestanding supplies.**

Gallon Capacity: 40  
Shipping Weight: 110 lbs.  
Empty Weight: 62 lbs.  
Filled Weight: 396 lbs.

## Features:

- ▶ Inside finish is either white or bisque to match outside color
- ▶ Pre-drilled overflow hole
- ▶ 3-3/8" centers in tub wall with continuous rolled rim
- ▶ Top of tub to center of faucet holes is 3-1/4"
- ▶ Outside is textured fiberglass reinforced polyester coated with two-part epoxy
- ▶ Cast aluminum ball and claw feet
- ▶ Feet are attached and leveled before shipment
- ▶ Tub is thoroughly inspected before shipment



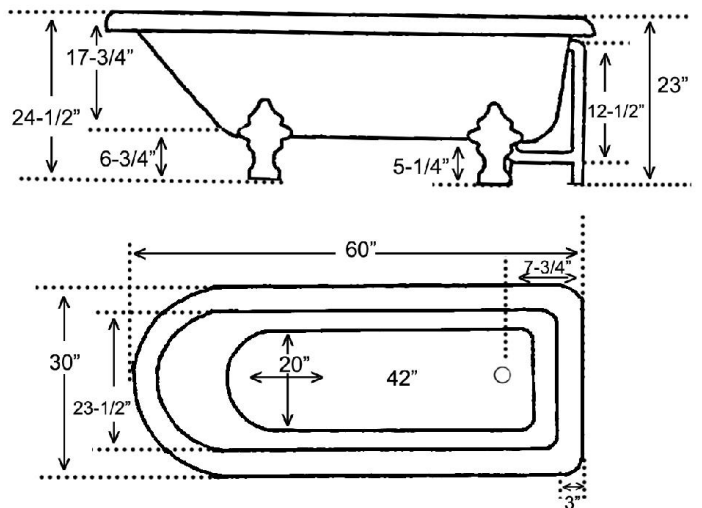
## Tub Colors

**WH** White    **BQ** Bisque

## Foot Finishes

<b>BQ</b> Bisque	<b>BN</b> Brushed Nickel
<b>BL</b> Black	<b>ORB</b> Oil Rubbed Bronze
<b>PB</b> Polished Brass	<b>PN</b> Polished Nickel
<b>CP</b> Polished Chrome	<b>WH</b> White

**Custom Colors Available** (inside of tub is always white enamel):  
Painted bathtubs are considered "special order" and are not returnable  
\$160 Bisque or Black \$250 Designer Color



Dimensions of fixture are nominal and specifications subject to change without notice.

# TUB FILLER

Cat. No.  
4051



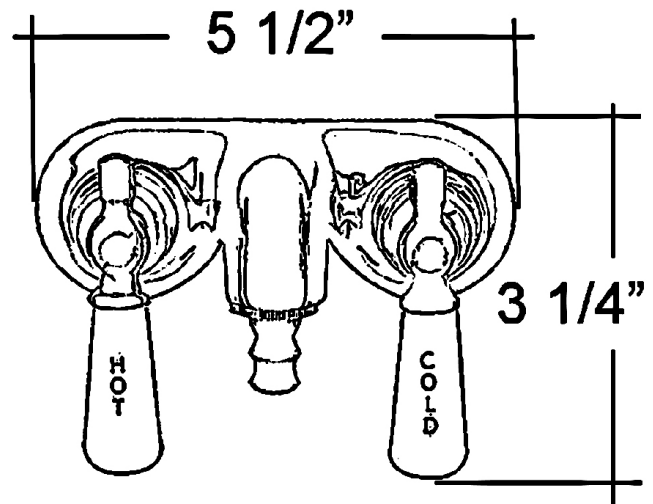
L: 3- $\frac{1}{4}$ "  
W: 5- $\frac{1}{2}$ "  
D: 3- $\frac{3}{4}$ "

## Features:

- ▶ Old style spigot
- ▶  $\frac{1}{4}$  Turn ceramic disc cartridges
- ▶ 3- $\frac{3}{8}$ " Centers for tub wall mount installation
- ▶  $\frac{3}{4}$ " Nipples
- ▶ Porcelain lever handles
- ▶ Flow rate is 3.6 GPM
- ▶ For use with double offset supplies #5576

## Finishes:

- CP Polished Chrome
- PB Polished Brass



Dimensions are nominal and may vary. Dimensions and specifications subject to change without notice.

# DOUBLE OFFSET BATH SUPPLIES

Cat.No.  
5576



H: 24"

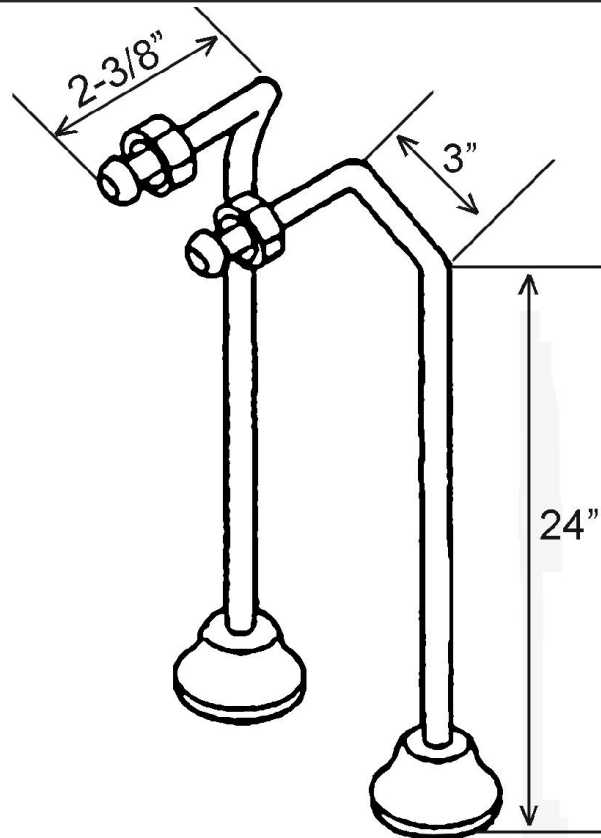
OD: 1/2"

## Features:

- ▶ For use with faucets mounted to the tub wall
- ▶ No Stops
- ▶ 1/2" Compression inlet
- ▶ 3/4" Compression outlet
- ▶ 0.500" Outer diameter
- ▶ 0.440" Inner diameter
- ▶ 0.030" Thickness of the wall
- ▶ Available in 5 finishes

## Finishes:

<b>CP</b>	Polished Chrome	<b>PN</b>	Polished Nickel
<b>PB</b>	Polished Brass	<b>BN</b>	Brushed Nickel
<b>ORB</b>	Oil Rubbed Bronze		



**Use on concrete floors requires special installation. We recommend using a plumbing professional.**

Dimensions and specifications subject to change without notice.

# LEG TUB DRAIN

Cat. No.  
5599



Escutcheon Height: 1-1/4"

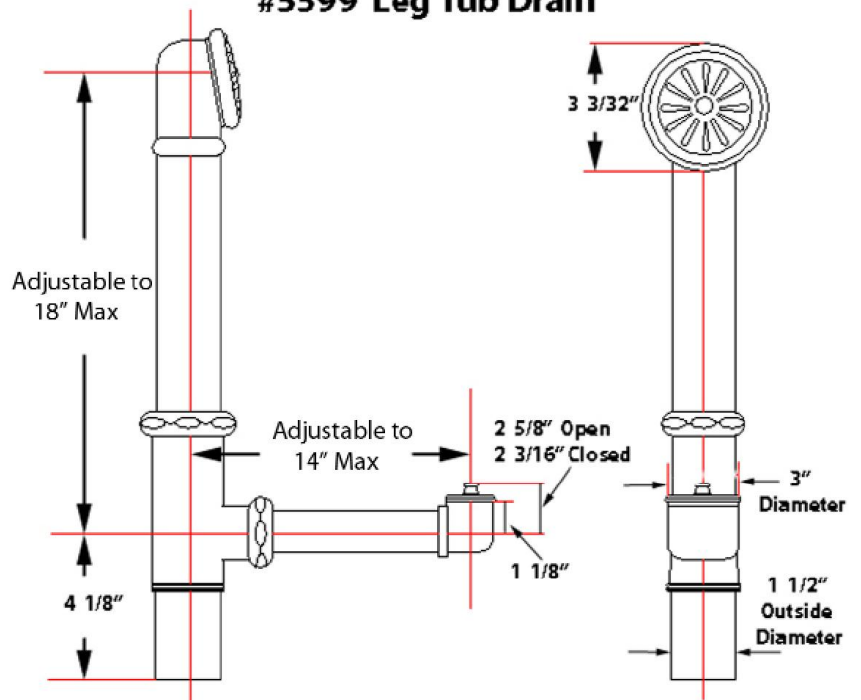
## Features:

- ▶ Twist-and-lift stopper
- ▶ Includes deep escutcheon
- ▶ Height adjustable 15"-18"
- ▶ Depth adjustable 12"-14"
- ▶ Includes deep escutcheon
- ▶ Available in 5 Finishes

## Finishes:

- CP Polished Chrome
- BP Polished Brass
- SN Brushed Nickel
- PN Polished Nickel
- ORB Oil Rubbed Bronze

## #5599 Leg Tub Drain



Dimensions and specifications subject to change without notice.