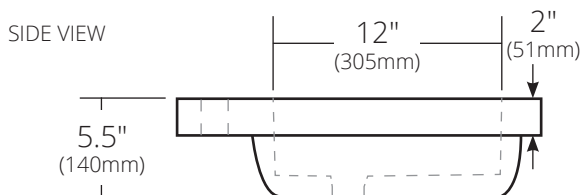
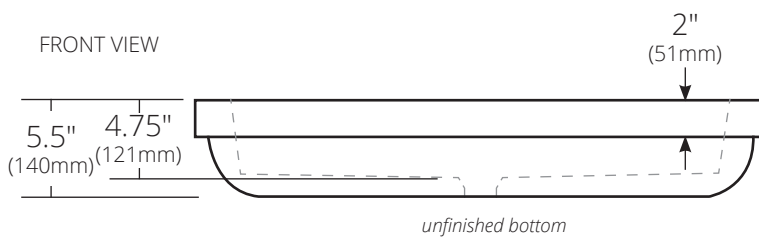
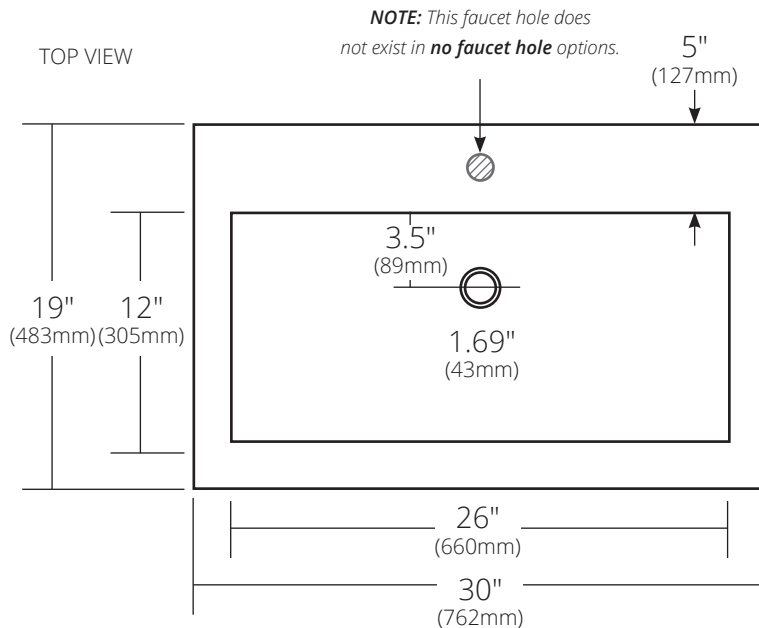


SPECIFICATIONS

TROUGH 3019

NativeStone® Collection



Single Faucet Hole

- NSL3019-A Ash
- NSL3019-C Charcoal
- NSL3019-D Sand
- NSL3019-E Earth
- NSL3019-F Forest*
- NSL3019-G Sage*
- NSL3019-O Ocean*
- NSL3019-P Pearl
- NSL3019-S Slate
- NSL3019-T Terracotta*

No Faucet Hole

- NSL3019-AX Ash
 - NSL3019-CX Charcoal
 - NSL3019-DX Sand
 - NSL3019-EX Earth
 - NSL3019-FX Forest*
 - NSL3019-GX Sage*
 - NSL3019-OX Ocean*
 - NSL3019-PX Pearl
 - NSL3019-SX Slate
 - NSL3019-TX Terracotta*
- *Made to Order

PRODUCT DETAILS

- 30" x 19" x 5.5" OD (762mm x 483mm x 140mm)
- 26" x 12" x 4.75" ID (660mm x 305mm x 121mm)
- 1.69" (43mm) drain opening for 1.5" drain
- Handcrafted from sustainable NativeStone
- Sealed with NativeStone Shield™
- Weight: approx. 54lbs

INSTALLATION

- Drop-In

COORDINATING PRODUCTS

- Drains: DR120, DR130 or DR150
- Vanity Top Cutout: -T2814 Trough 28 x 14
- Note: Total deck thickness is 3.25" with sink and top; choose faucet accordingly

STANDARDS COMPLIANCE

- UPC/cUPC compliant
- **ADA** COMPLIANT

IMPORTANT

Do NOT use tape or other adhesives on NativeStone as it may remove the sealer.

Due to the handcrafted nature of this product, it will vary in finish, texture, hammering, and other details. Dimensions may vary up to ¼" (6mm). We strongly recommend waiting for the actual product before making any installation cuts.