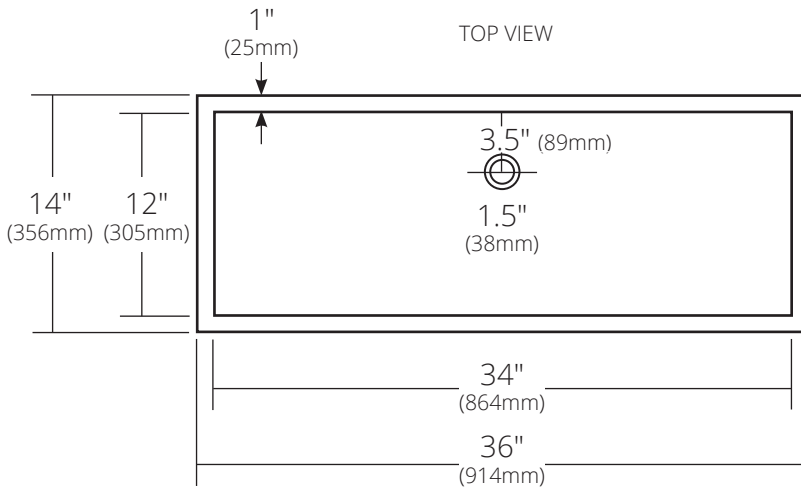


SPECIFICATIONS

TROUGH 36



- CPS206 Antique
- CPS406 Polished Copper
- CPS506 Brushed Nickel
- CPS806 Polished Nickel

PRODUCT DETAILS

- 36" x 14" x 6" OD (914mm x 356mm x 152mm)
- 34" x 12" x 5.5" ID (864mm x 305mm x 140mm)
- Hand hammered 16 gauge recycled copper
- 1.5" (38mm) drain opening

INSTALLATION

- Drop-In or Undermount

COORDINATING PRODUCTS

- Drains: DR120, DR130 or DR150
- Vanity Top Cutout: -T3412 Trough 34 x 12

STANDARDS COMPLIANCE

- UPC/cUPC compliant
- **ADA** COMPLIANT

IMPORTANT

Due to the handcrafted nature of this product, it will vary in finish, texture, hammering, and other details. Dimensions may vary up to 1/4" (6mm). We strongly recommend waiting for the actual product before making any installation cuts.

